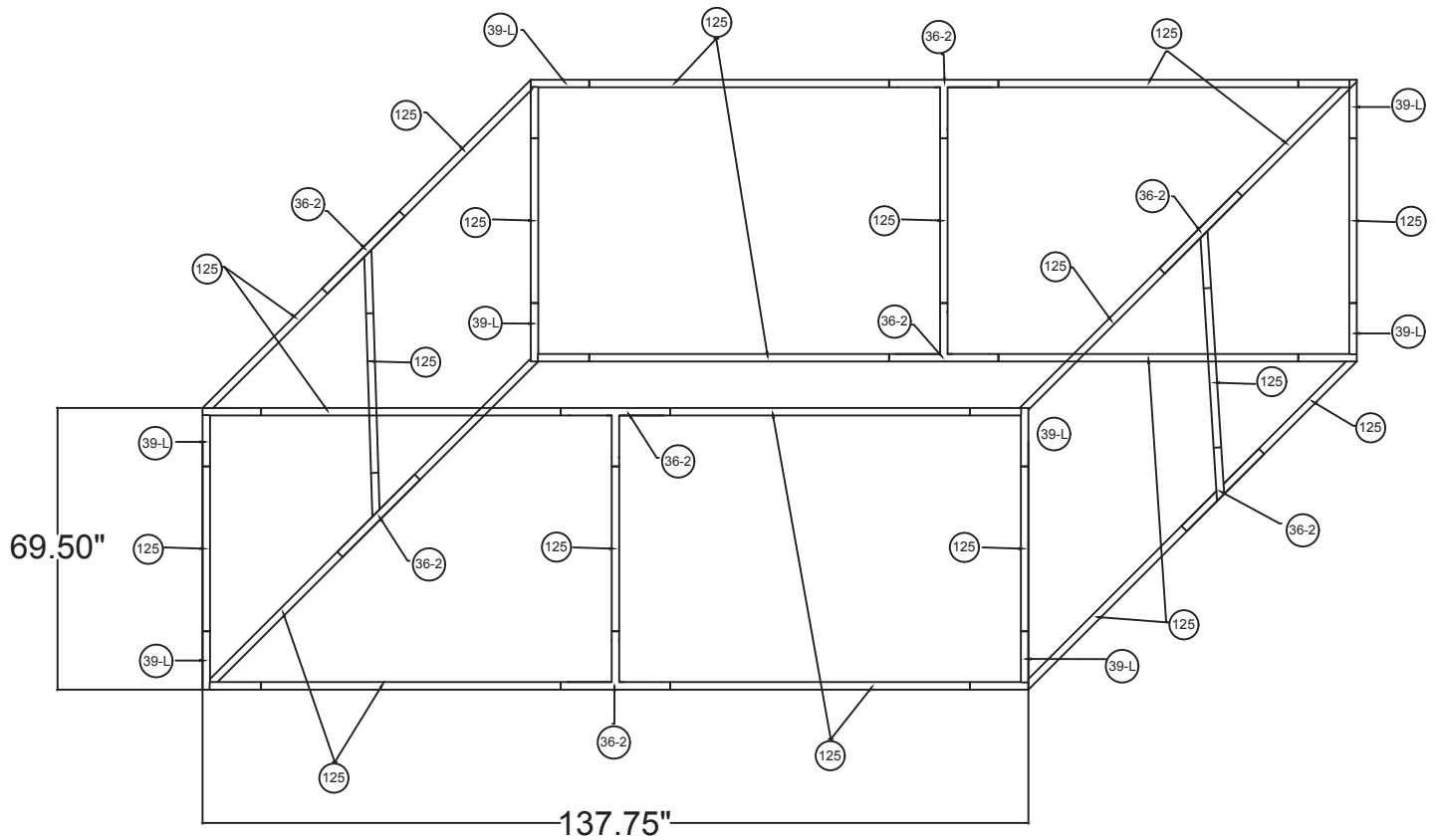


# WAVELINE®

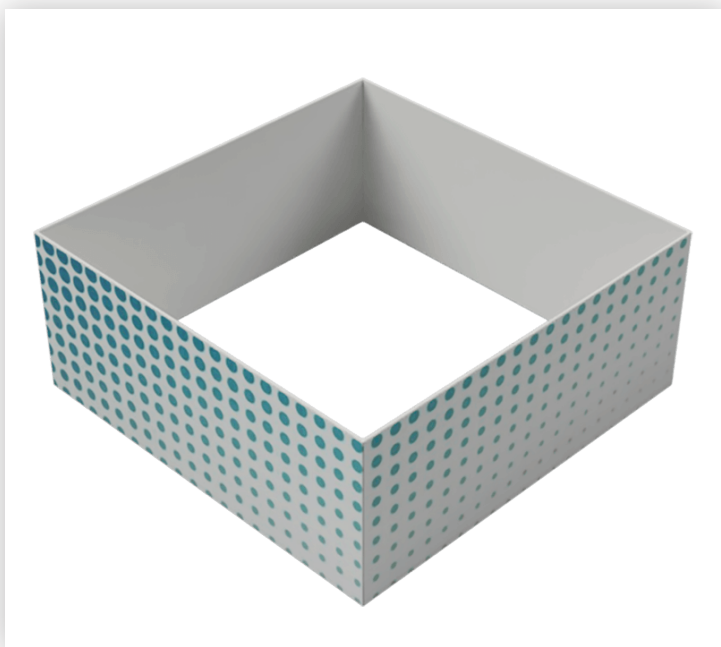
## 12'w x 6'h WL Hanging Sign



### SHS1272

12'w x 6'h WL Hanging Sign

Qty.	Part Number
8	WLM#039L-US
24	WLM#125
8	WLM#036-2-US
2	BGO-FABRIC-L bag



#### Notes:

- \* Does not include Hanging Cables
- \* Will fit inside a CA600 or CA900 case