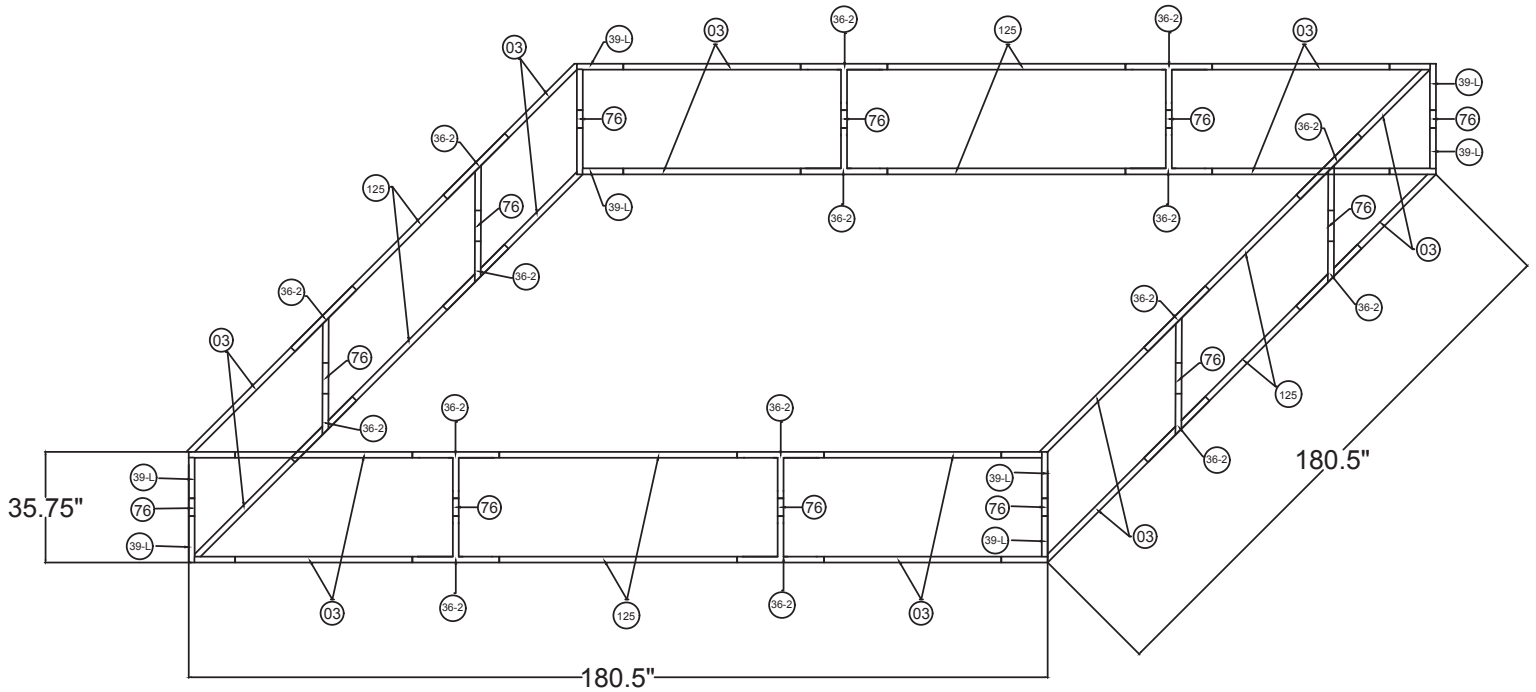


# WAVELINE®

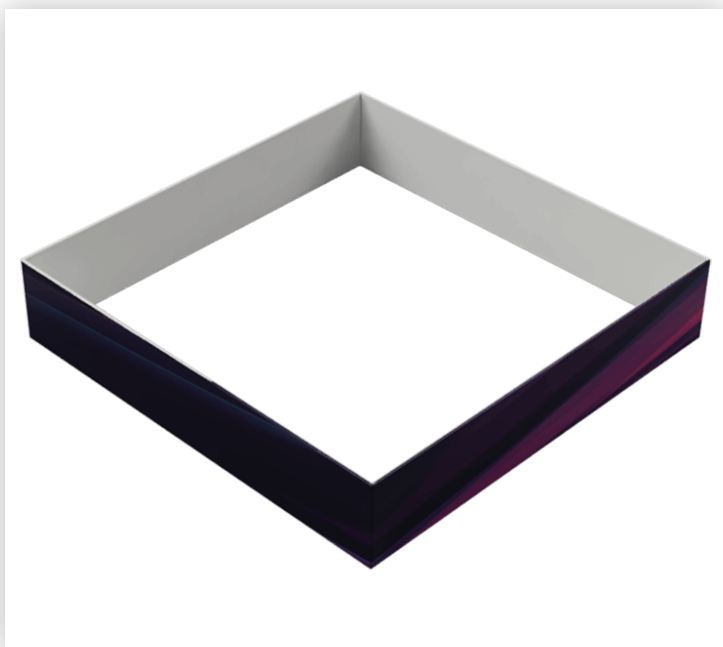
## 15'w x 3'h WL Hanging Sign



### SHS1536

15'w x 3'h WL Hanging Sign

Qty.	Part Number
8	WLM#039L-US
12	WLM#076
16	WLM#003
16	WLM#036-2-US
8	WLM#125
2	BGO-FABRIC-XL bag



#### Notes:

- \* Does not include Hanging Cables
- \* Will fit inside a CA600 or CA900 case