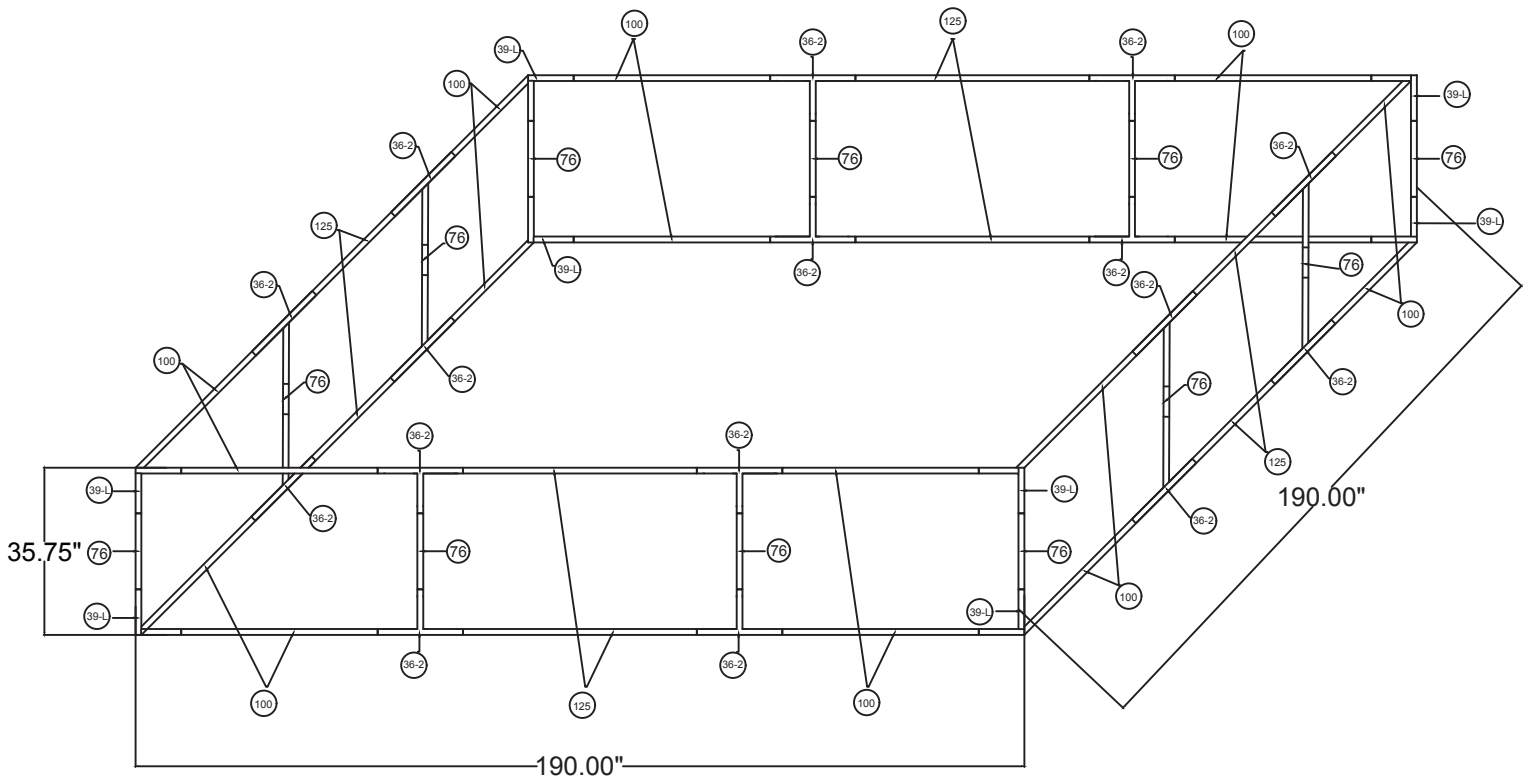


WAVELINE®

16'w x 3'h WL Hanging Sign



SHS1636

16'w x 3'h WL Hanging Sign

Qty.	Part Number
8	WLM#039-L
12	WLM#076
16	WLM#100
8	WLM#125
16	WLM#036-2-US
2	BGO-FABRIC-XL bag

Notes:

- * Does not include Hanging Cables
- * Will fit inside a CA600 or CA900 case

