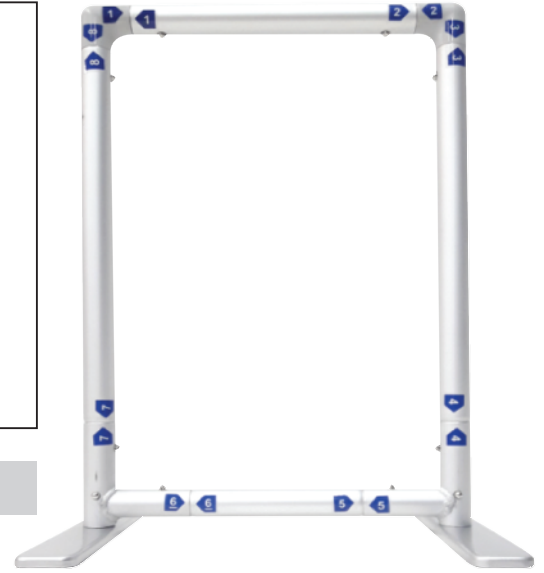
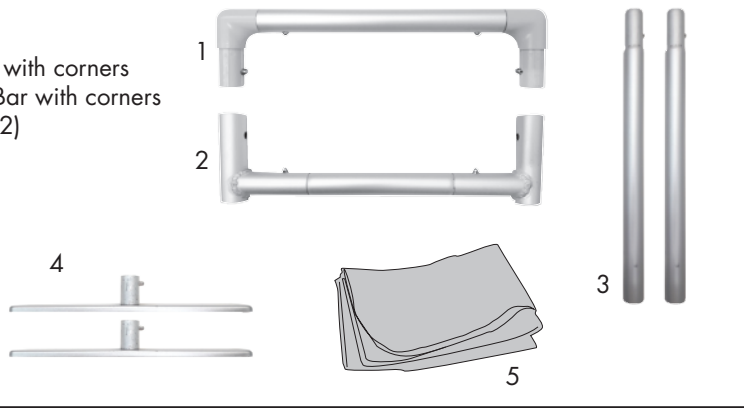


Eurofit Mini Display

Product Parts

- 1 - Top Horizontal Bar with corners
- 2 - Bottom Horizontal Bar with corners
- 3 - Side Vertical Bar (x2)
- 4 - Feet (x2)
- 5 - Fabric Graphic



Display Set-Up

Step 1

Connect the feet (4) to the bottom horizontal bar with corners (2), on the end closer to the bar, pressing push buttons.

Step 2

Matching numbers, connect the Side Vertical Bars (3), pressing the push buttons.

Step 3

Matching numbers, connect the Top Horizontal Bar with corners (1) to the tops of the Side Vertical Bars, pressing the push buttons.



Storage

Place all product parts into Carry Case and store in a cool, dry place.

Care

Fabric Graphic - machine wash cold on gentle cycle, air dry only. Do not dry clean. Steam clean for wrinkling.

Frame - wipe with a damp cloth.