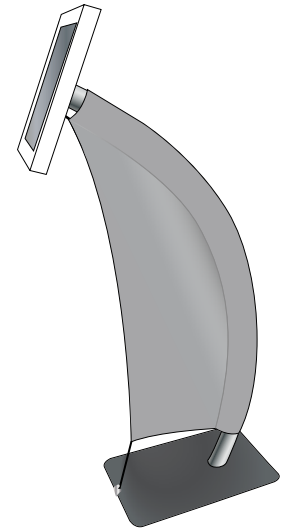
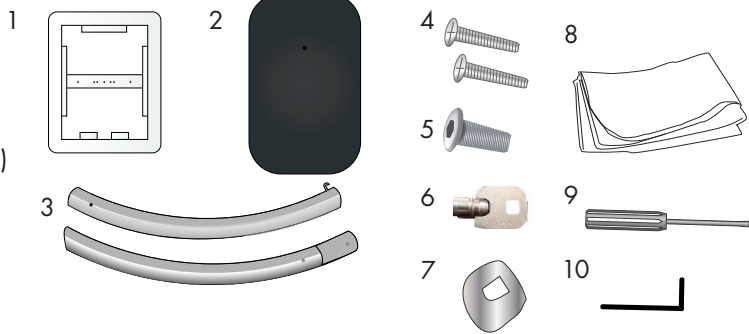


Product Parts

- 1 - Tablet Case (x1)
- 2 - Base (x1)
- 3 - Pole (x2)
- 4 - Phillips Head Screws (x2)
- 5 - 5mm Hex Screws (x1)
- 6 - Tablet Case Key (x1)
- 7 - Bottom Hook (x1)
- 8 - Fabric Graphic
- 9. Philipps Screwdriver
- 10. 5mm Allen Wrench



Display Set-Up

Step 1

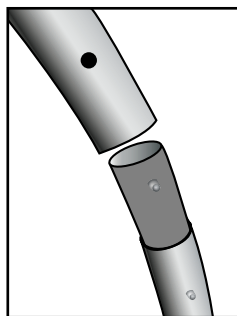
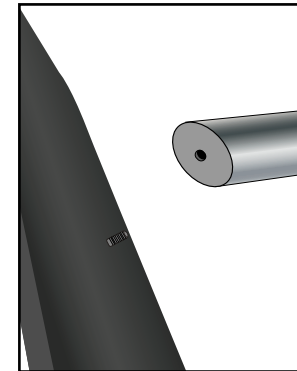
Unpack all product parts from the box, and determine you have everything listed above.

Step 2

Begin by turning the base upside down and attaching the base (2) to the bottom pole (3) using the 5mm Hex Screw (5). Tighten the screw using a 5mm Hex/Allen Wrench. Do not over-tighten and DO NOT USE a powered drill.

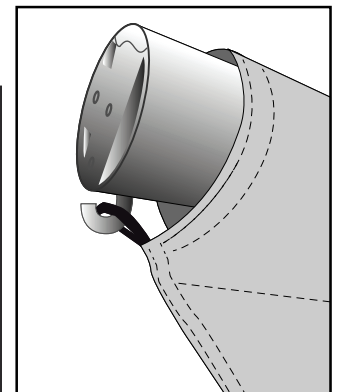
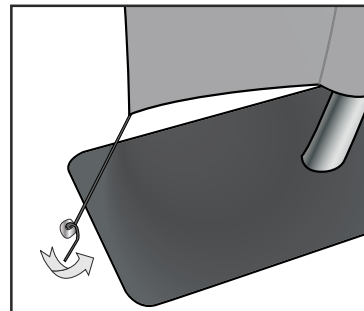
Step 3

Once bottom pole is tightened and straightened to the base (2), lock the top pole (3) in by using the push button and start to drape the graphic over the pole.



Step 4

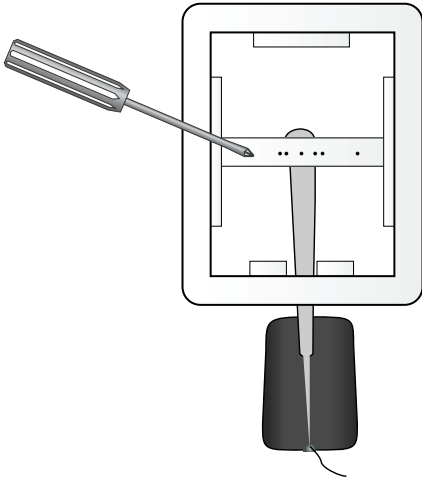
Tie bottom cord to bottom hook (7) and attach hook to the bottom of the base to make the graphic taut. Loop top cord around top hook of pole (3).



Display Set-Up Continued...

Step 5

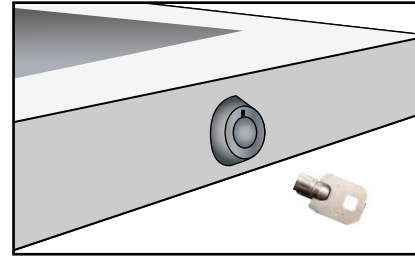
Place Tablet Case on top pole (3). Choose your desired location and attach case using Philips Head Screws (4).



Step 6

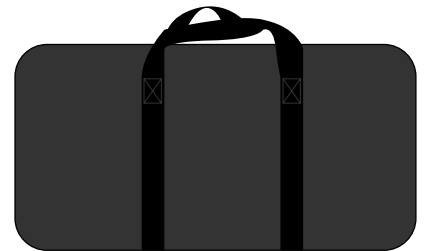
Unlock the tablet case by inserting the case key (6) and turning either left or right.

To lock the case, simply push the pin of the lock in.



Storage

Place all product parts into Soft Carry Case and store in a cool dry location.



Care

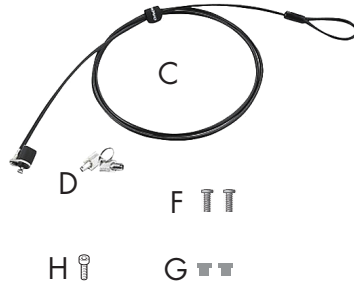
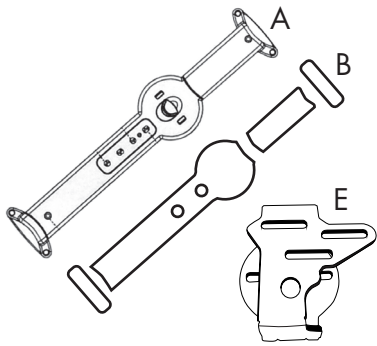
Recommended for indoor use only.

Warranty Information: All products are designed to provide the user with a cost-effective and durable product. Standard warranty is a 'one year parts and labor' warranty which warrants product against defects in material and workmanship. It does not cover damage due to accidents, abuse, or normal wear and tear. Products found to be defective will be replaced or repaired at factory's discretion.

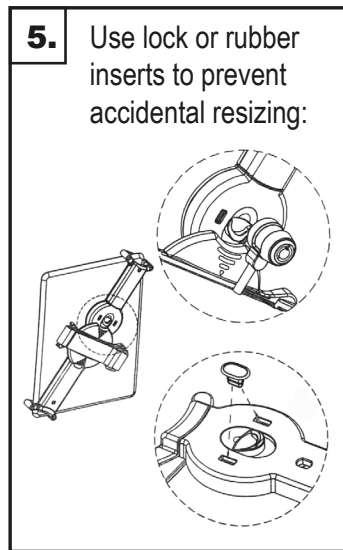
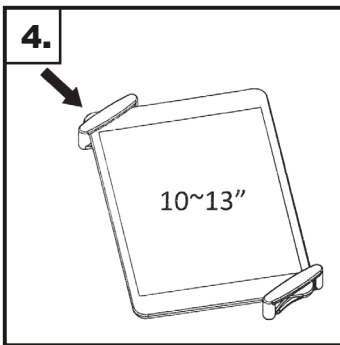
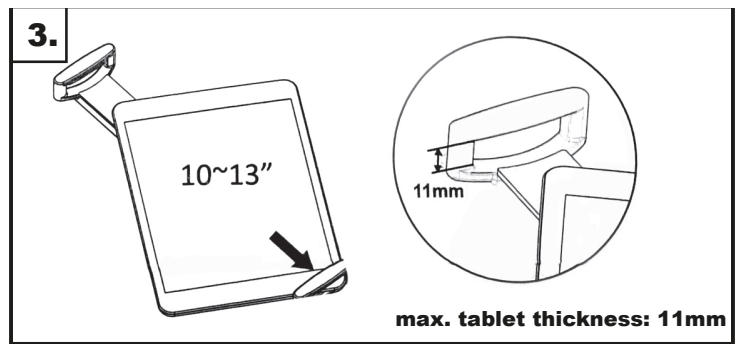
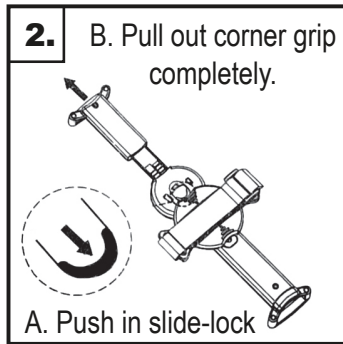
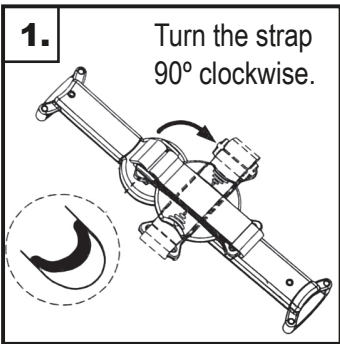
Universal Tablet Holder

Product Parts

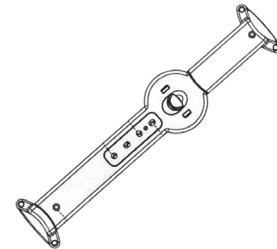
- A - Adjustable Security Grip Holder (x1)
- B - Foam Spacers (x6)
- C - 59" Galvanized Steel Security Cable with PVC coating (x1)
- D - Lock Keys (x2)
- E - Universal Mounting Bracket (x1)
- F - Grip Holder Screws (x2)
- G - Rubber Inserts (x2)
- H - Hex Screw (x1)



Inserting Your Tablet into Adjustable Security Grip:

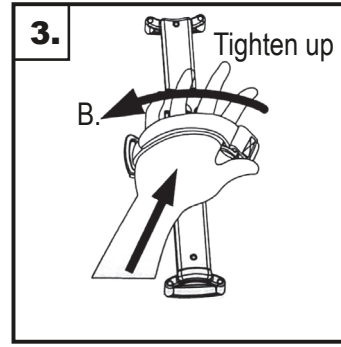
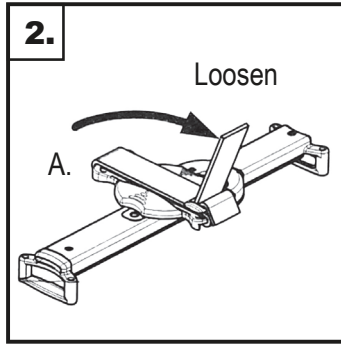
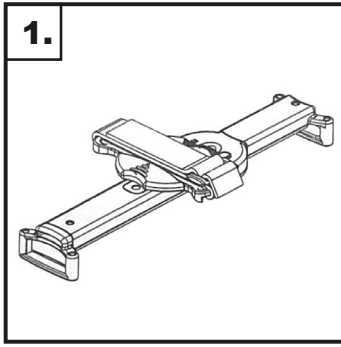


Use the extra spacer(s) for better fitting if needed for thinner tablets



Compatible with all
Creative Banner and Showdown Displays
Tablet Stands

Using the Hand Strap:



Attaching Adjustable Security Grip to Tablet Stand:

Step 1 & 2 & 3

Loosen hand strap from Adjustable Security Grip Holder (A) to expose screw and washers. Remove screw and washers to disassemble hand strap mechanism from main body.

Step 4

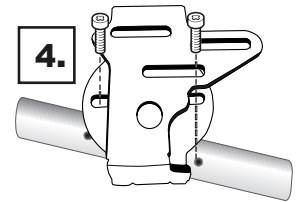
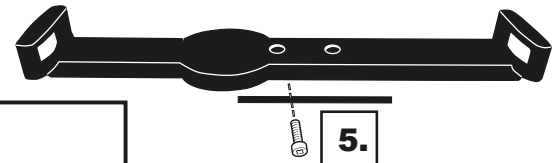
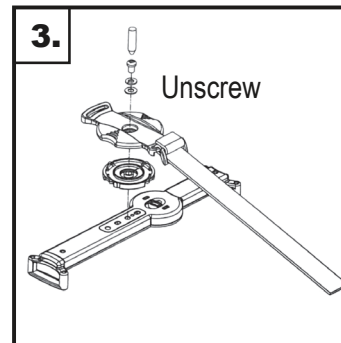
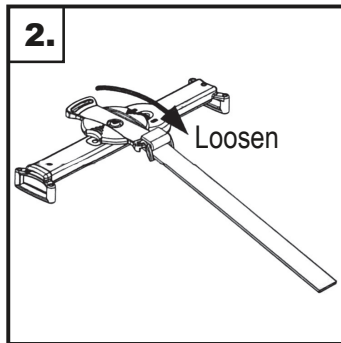
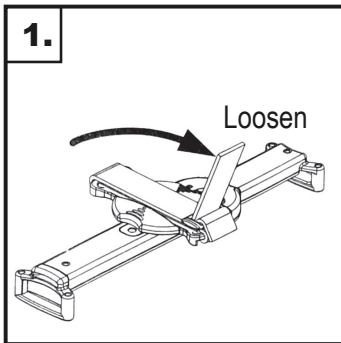
Secure Universal Mounting Bracket (E) to your stand with existing stand screws.

Step 5

Then secure Adjustable Security Grip Holder (A) to your Mounting Bracket (E) using the supplied Screws (F or H).

Step 6

Secure the looped end of the Security Cable (C) to your stand or fixed object. Then attach the locking end to either security slot on the back of the Adjustable Security Grip Holder (A) using the Lock Key (D).



Storage & Care

Place all product parts into shipping box and store in a cool, dry location.
To clean, wipe with damp cloth.

Warranty Information: All products are designed to provide the user with a cost-effective and durable product. Standard warranty is a 'one year parts and labor' warranty which warrants product against defects in material and workmanship. It does not cover damage due to accidents, abuse, or normal wear and tear. Products found to be defective will be replaced or repaired at factory's discretion.