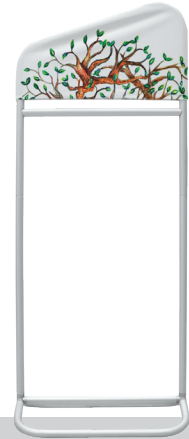
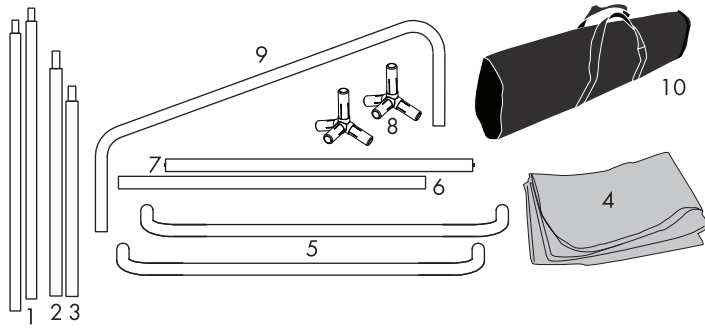


# Eurofit Evolution Incline Apparel

## Product Parts

- 1 - Bottom Vertical Pole (x2)
- 2 - Long Top Vertical Pole (x1)
- 3 - Short Top Vertical Pole (x1)
- 4 - Fabric Graphic (x1)
- 5 - Curved Base Bar (x2)
- 6 - Straight Base Bar (x1)
- 7 - Apparel Bar (x1)
- 8 - Four-Point Connector (x2)
- 9 - Top Bar (x1)
- 10 - Carry Case



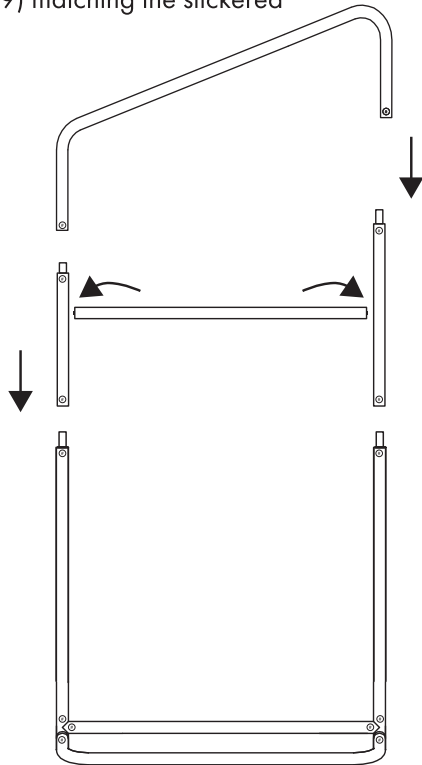
## Display Set-Up

### Step 1

Begin by removing all parts from the carry case and place on a clean, flat surface.

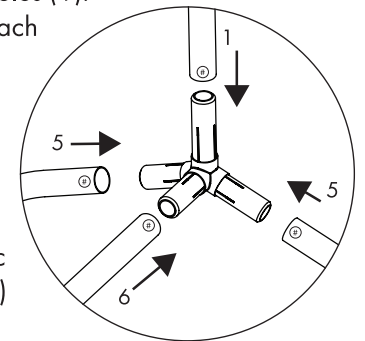
### Step 3

Connect the Apparel Bar (7) between vertical poles by inserting screw head into slot on Vertical Poles. Assemble the Short Top Vertical Pole (3) and Long Top Vertical Poles (2) matching stickered numbers. Finally connect the Top Bar (9) matching the stickered numbers.



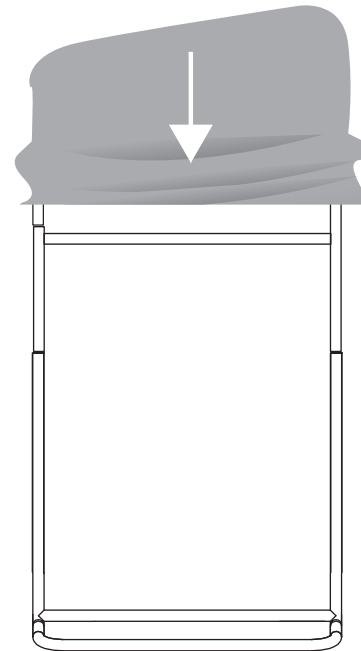
### Step 2

Connect the Straight Base Bar (6) first to the Four-Point Connectors (8) followed by connecting the Curved Base Bars (5) and Bottom Vertical Poles (1). Match stickered numbers on each piece.



### Step 4

Place single Fabric Graphic over top of hardware. Graphic will rest above Apparel Bar (7) allowing space for hangers.



## Storage & Care

Place all product parts into Carry Case and store in a cool dry location. Recommended for indoor use only. Machine wash on gentle cycle using mild detergent. Tumble Dry No Heat. Do NOT dry clean, Do NOT Iron.