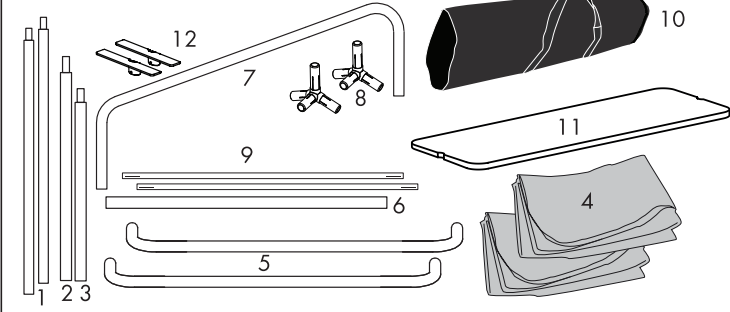


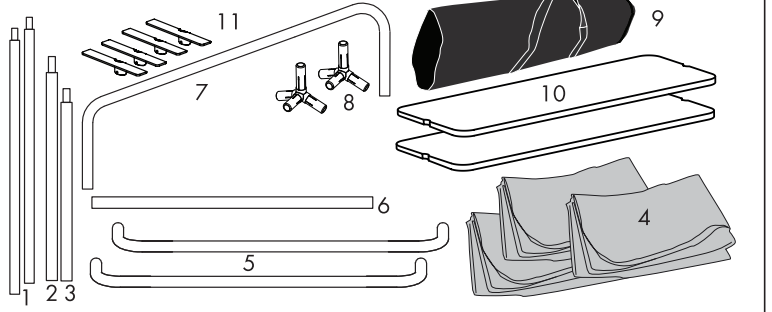
# Eurofit Evolution Incline with Single or Double Shelf

## Parts List for Single Shelf Display

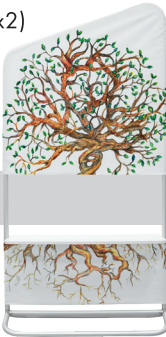


- 1 - Bottom Vertical Pole (x2)
- 2 - Long Top Vertical Pole (x1)
- 3 - Short Top Vertical Pole (x1)
- 4 - Fabric Graphic (x2)
- 5 - Curved Base Bar (x2)
- 6 - Straight Base Bar (x1)
- 7 - Top Bar (x1)
- 8 - Four-Point Connector (x2)
- 9 - Support Bar (x2)
- 10 - Carry Case
- 11 - Shelf (x1)
- 12 - Shelf Bracket (x2)

## Parts List for Double Shelf Display



- 1 - Bottom Vertical Pole (x2)
- 2 - Long Top Vertical Pole (x1)
- 3 - Short Top Vertical Pole (x1)
- 4 - Fabric Graphic (x3)
- 5 - Curved Base Bar (x2)
- 6 - Straight Base Bar (x1)
- 7 - Top Bar
- 8 - Four-Point Connector (x2)
- 9 - Carry Case
- 10 - Shelf (x2)
- 11 - Shelf Bracket (x4)



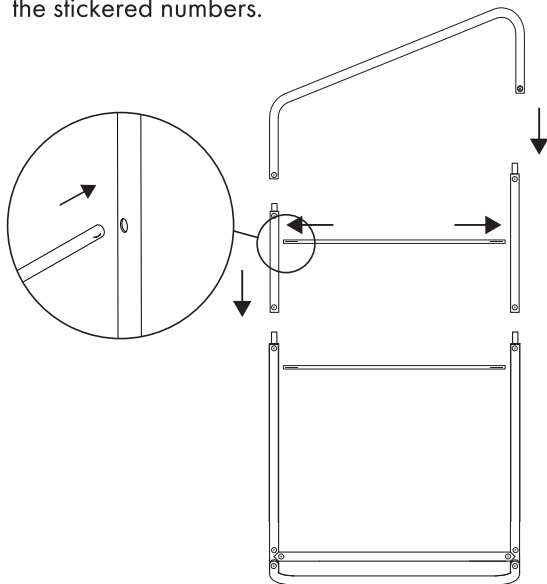
## Display Set-Up

### Step 1

Begin by removing all parts from the carry case and place on a clean flat surface.

### Step 3

Connect the Support Bars (9) (single shelf display only) between vertical poles by inserting into hole until spring lock "snaps" into place on Vertical Poles. Assemble the Short Top Vertical Pole (3) and Long Top Vertical Poles (2) matching stickered numbers. Finally connect the Top Bar (7) matching the stickered numbers.

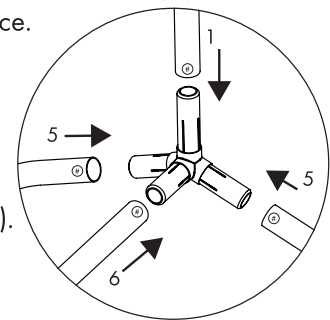


### Step 2

Connect the Straight Base Bar (6) first to the Four-Point Connectors (8) followed by connecting the Curved Base Bars (5) and Bottom Vertical Poles (1). Match stickered numbers on each piece.

### Step 4

First slide bottom graphic over hardware just below holes for each shelf. Attach two shelf brackets (see A).



### Step 5

Attach bottom shelf to the brackets by placing shelf between vertical poles at a slight angle and align with brackets (see B). Shelf will "snap" onto bracket with embedded magnets. Repeat process for middle shelf. (double shelf display only)

Fig. A

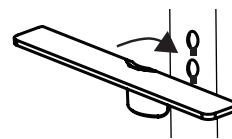
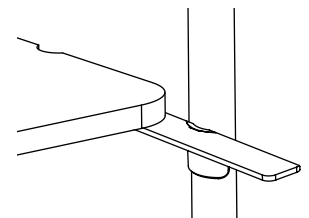


Fig. B



## Storage & Care

Place all product parts into Carry Case and store in a cool dry location. Recommended for indoor use only. Machine wash on gentle cycle using mild detergent. Tumble Dry No Heat. Do NOT dry clean, Do NOT Iron.