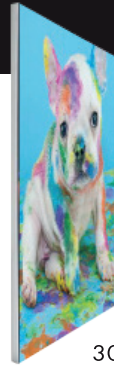
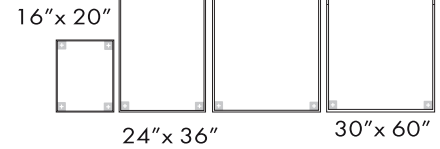
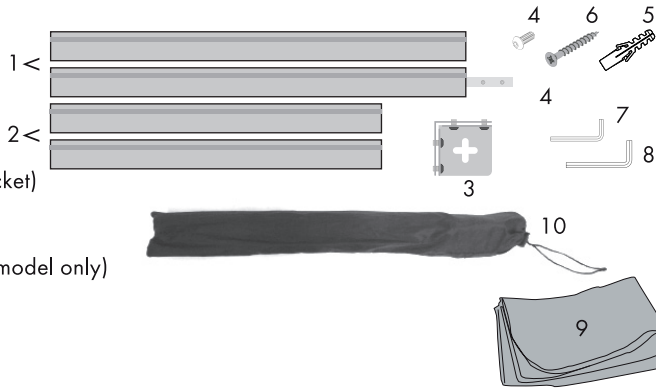


Value SEG Wall Mount Display



Product Parts

- 1 - Long Sections (x2)
(x4) (30"x60" model only)
- 2 - Short Sections (x2)
- 3 - Corner Mounting Bracket (x4)
- 4 - M6 x 1.0 Screws (x16)
(attached to Corner Mounting Bracket)
- 5 - Wall Anchor (x2)
- 6 - Wall Anchor Screws (x2)
- 7 - #3 Metric Hex Wrench (30"x60" model only)
- 8 - #4 Metric Hex Wrench
- 9 - Graphic
- 10 - Carry Pouch



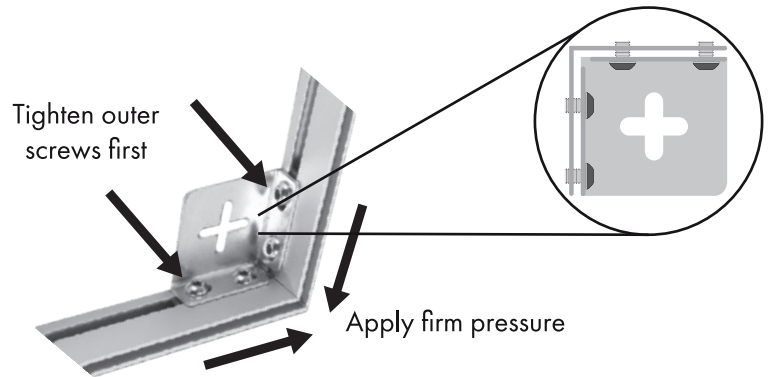
Display Set-Up

Step 1

Connect one Long Section (1) to one Short Section (2) by inserting a Corner Mounting Bracket (3) into each end. Loosen M6 Screws (4) if needed.

Step 2

While holding the two Sections firmly together, tighten M6 Screws (4) with #4 Metric Hex Wrench (8) in place at outer edge first. Complete by tightening the two M6 Screws (4) on inner edge. Repeat for remaining corners.



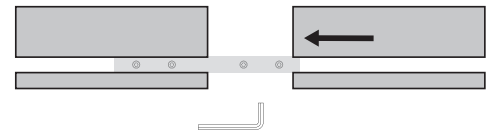
Display Set-Up for 30" x 60"

Step 1

Follow Steps 1 & 2 above.

Step 2

Connect two Long Sections (1) together by sliding one section that has the bracket with set screws. Hold the two Sections firmly together and tighten set screws using #3 Metric Hex Wrench (7). Repeat for other side.



Graphic Install

Step 1

Insert the graphic's gasket edges into the frame, by inserting each corner into the frames four corners, then work around the frame alternating opposite sides until complete. **Loop** for removing Graphics (91) will be at bottom corner.

Insert stitched side of the gasket first



To remove the graphic, pull the loop found on the corner.



Storage & Care

Store in a cool, dry place. To clean hardware, wipe with a damp cloth. Do NOT dry clean graphics, can Steam Clean wrinkles.