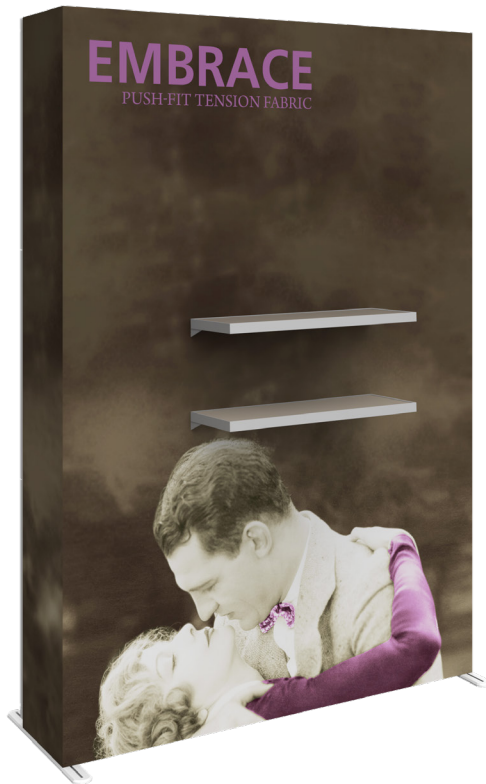


# Embrace Double Shelf Kit

## EMB-2-EXT-SHLF-K-2

Embrace™ external shelf kit enhances any Embrace backwall by providing a space to show off merchandise. Add to any Embrace backwall to deliver product and messaging with an impact! No tools required makes the external shelf kit an easy to add on accessory. Comes packed in a carry bag for easy transport.



### features and benefits:

- External Shelves to display merchandise
- Add on to any embrace backwall that is 3 or 4 quads high
- Can be located in any quad
- Tool-less assembly
- Kit includes: External 2 shelf kit, and carry bag
- Available as a 1 shelf kit
- Appears as floating shelves

### dimensions:

Hardware

Assembled Unit:

Shelf Size: (shelf only)  
26.41 "w x 0.67" h x 9.88" d  
671mm(w) x 18mm(h) x 251mm(d)

Approximate weight:  
16 lbs / 8 kgs

Shipping

Packaging:  
1 Box

Shipping Dimensions:  
33"l x 13"h x 6"d  
839mm(l) x 331mm(h) x 153mm(d)

Approximate total shipping weight:  
18 lbs / 9 kgs

### additional information:

Not recommended to attach to any frames under 3 quads high.

Shelf can support max 10 lbs / 5 kgs.

Additional shelves sold separately.

Maximum of 2 shelves per quad.

When included in a larger order, a different packaging solution will be provided to accommodate all contents of the kit. Individual packaging may no longer be provided.



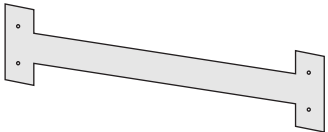
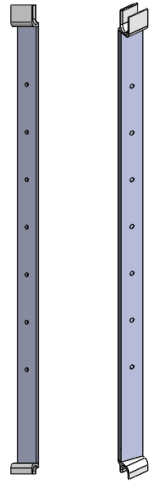

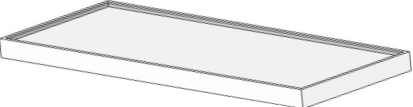

This product may include the following materials for recycle:  
aluminum, select wood, fabric, cardboard, paper, steel, and plastics.

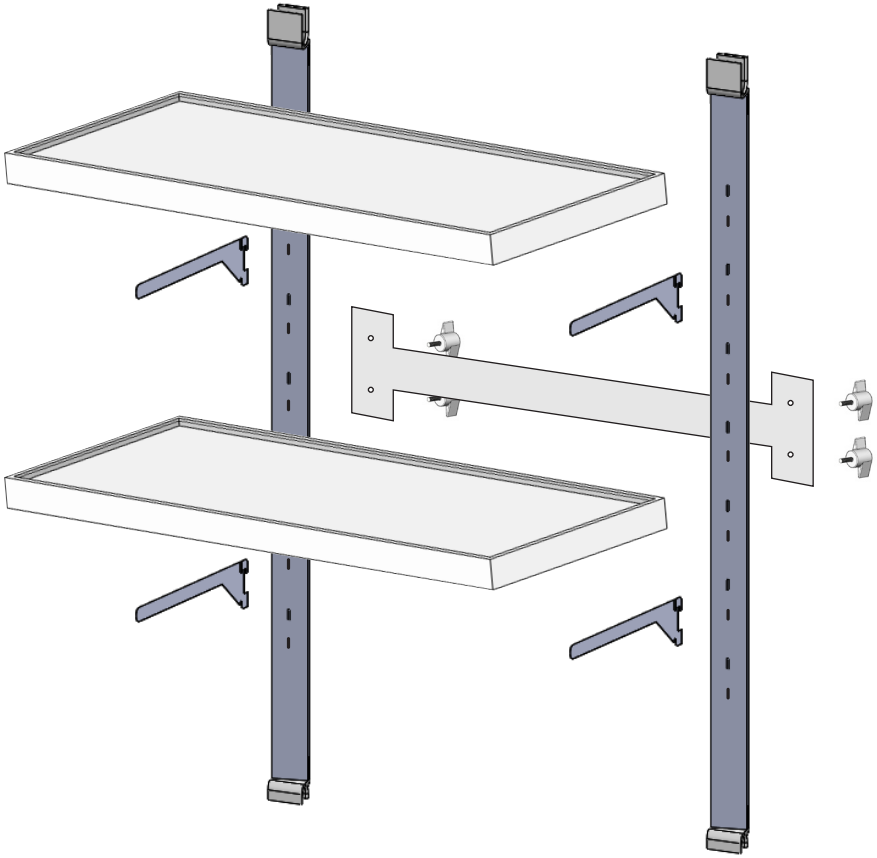
1 person assembly recommended



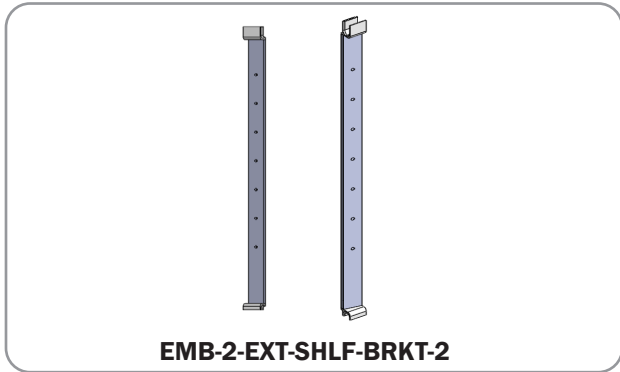
We are continually improving and modifying our product range and reserve the right to vary the specifications without prior notice. All dimensions and weights quoted are approximate and we accept no responsibility for variance. E&OE. See Graphic Templates for graphic bleed specifications.

# Included In Your Kit

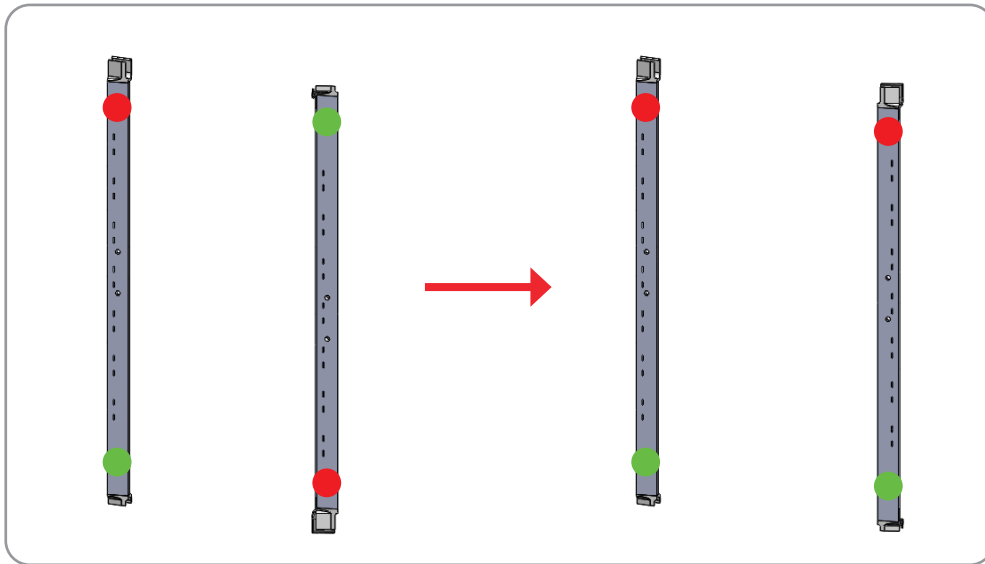
<p><b>EMB-2-EXT-SHLF-H-BAR</b></p>  <p>(x1)</p>	<p><b>EMB-2-ACC-BRKT</b></p>  <p>(x1) (x1)</p>
<p><b>EMB-2-MM-SCREW</b></p>  <p>(x4)</p>	
<p><b>EMB-2-EXT-SHLF</b></p>  <p>(x2)</p>	<p><b>EMB-2-EXT-SHLF-BRKT</b></p>  <p>(x4)</p>



# For this step you will need:

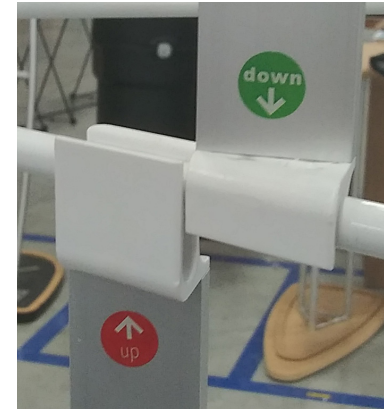


**1**

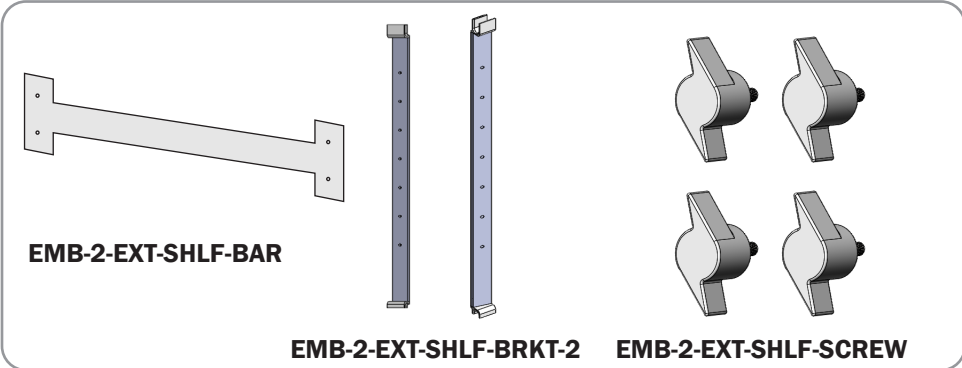


Locate the stickers on the accessory brackets and turn them so they are rotated to the correct direction.

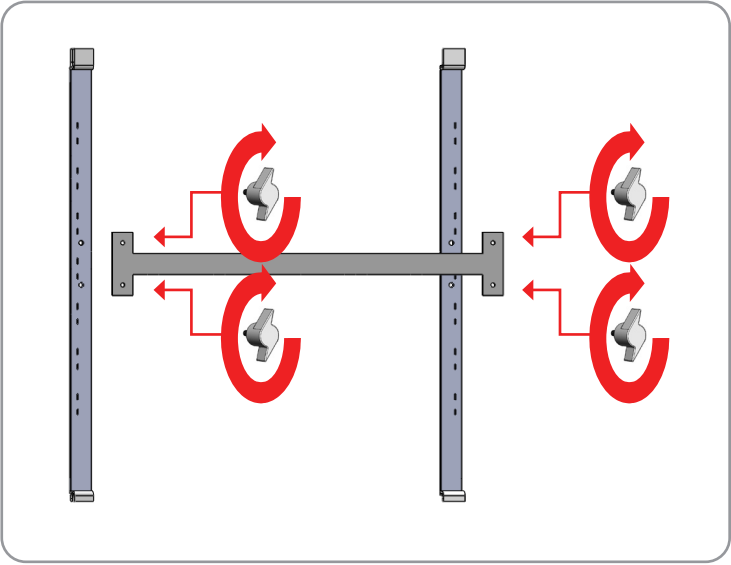
Note: when facing the display, the left bracket will have a letter L on it. When facing the back of the display, the left bracket will have stickers labeled 1 and the right bracket labeled 2.



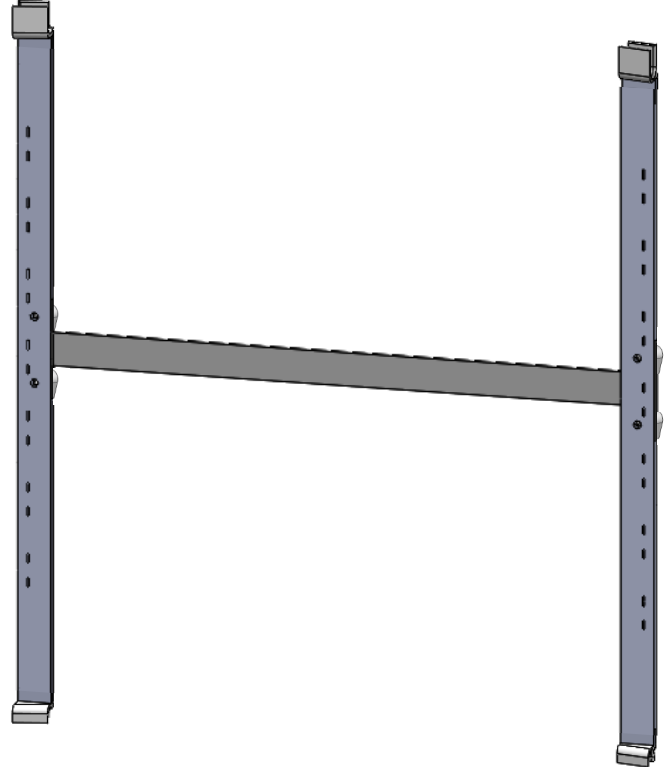
# For this step you will need:



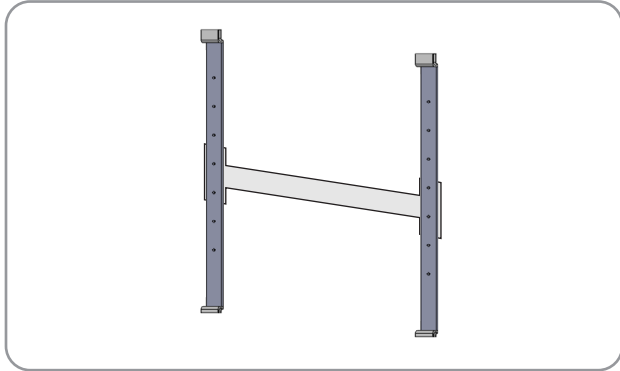
2



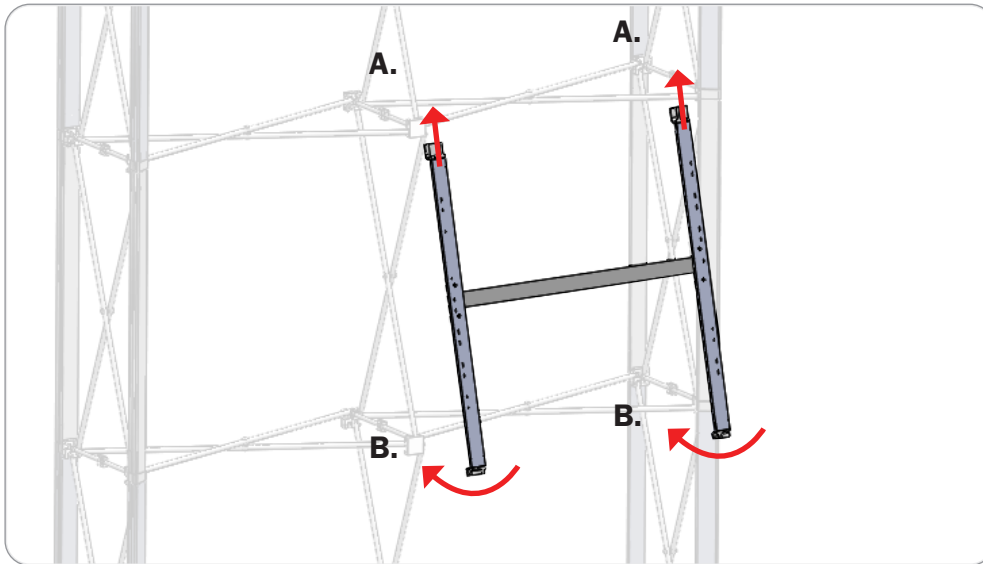
Assemble the mounting hardware by attaching the bar to the brackets - align the holes and use the included screws.



# For this step you will need:

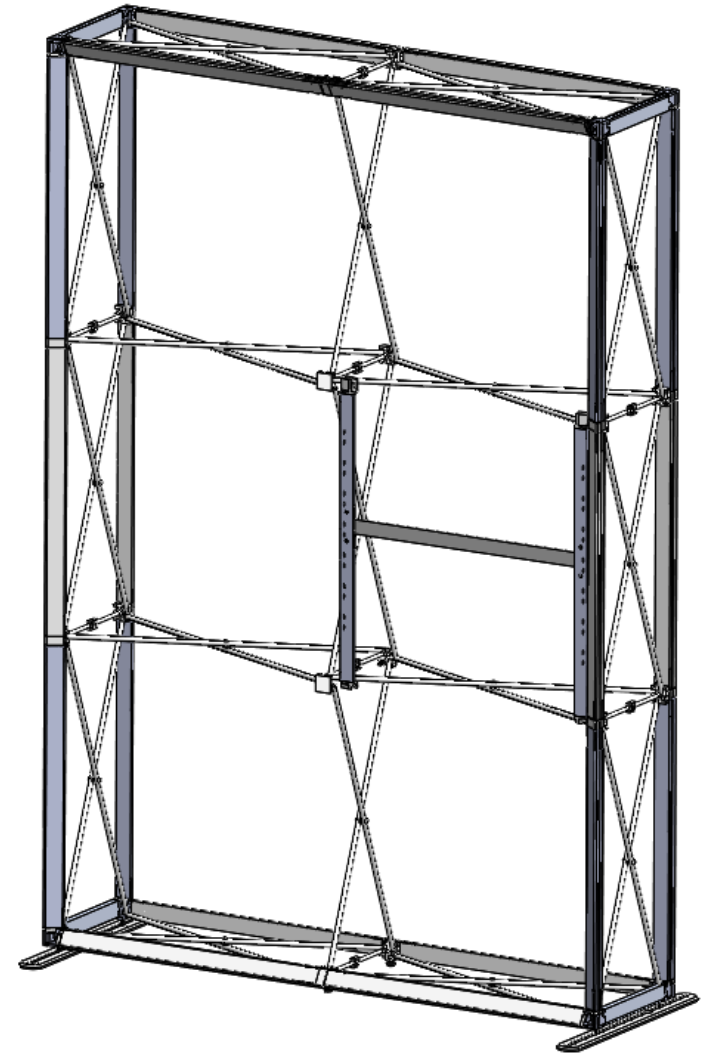


3

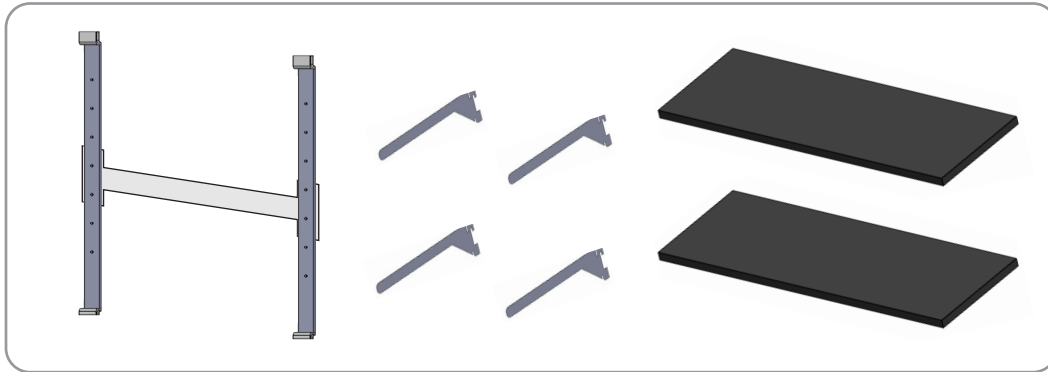


A. Attach the bracket assembly to the Embrace frame by first tilting it up and attaching the top of the scissor brackets to the upper embrace arms. Make sure brackets are the correct orientation before attaching. Follow the strikers on the brackets.

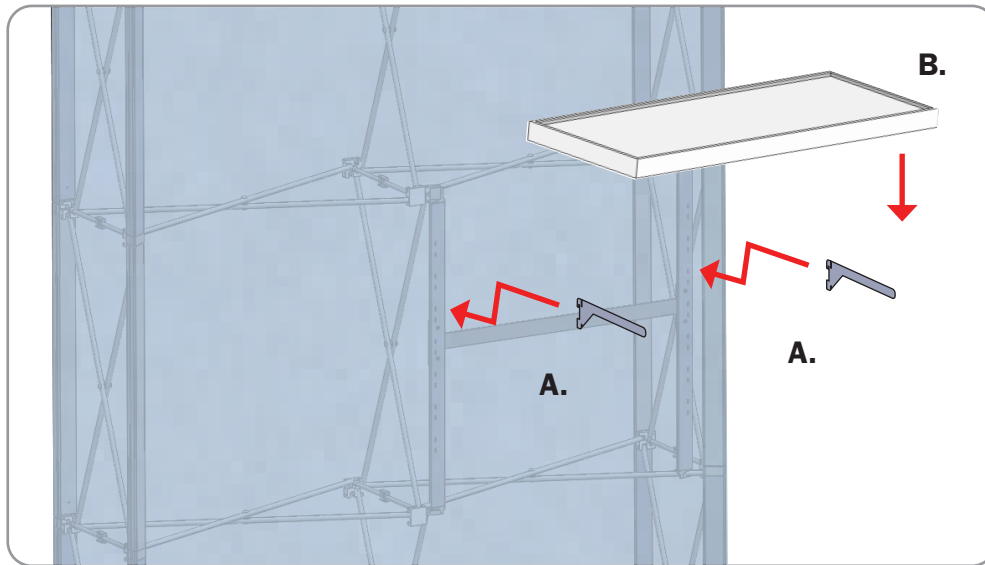
B. Finish the assembly by attaching the bottom of the bracket assembly to the Embrace frame. You may need to push the brackets up to fit them in place.



For this step you will need:



4



A. After applying the backwall graphic, attach the shelves by placing two arms at the desired height on both brackets.

B. Complete installation by lowering the shelf onto the arms; the arms should fit in the channel on the bottom of the shelves.

Repeat steps 4 for the second shelf.

