

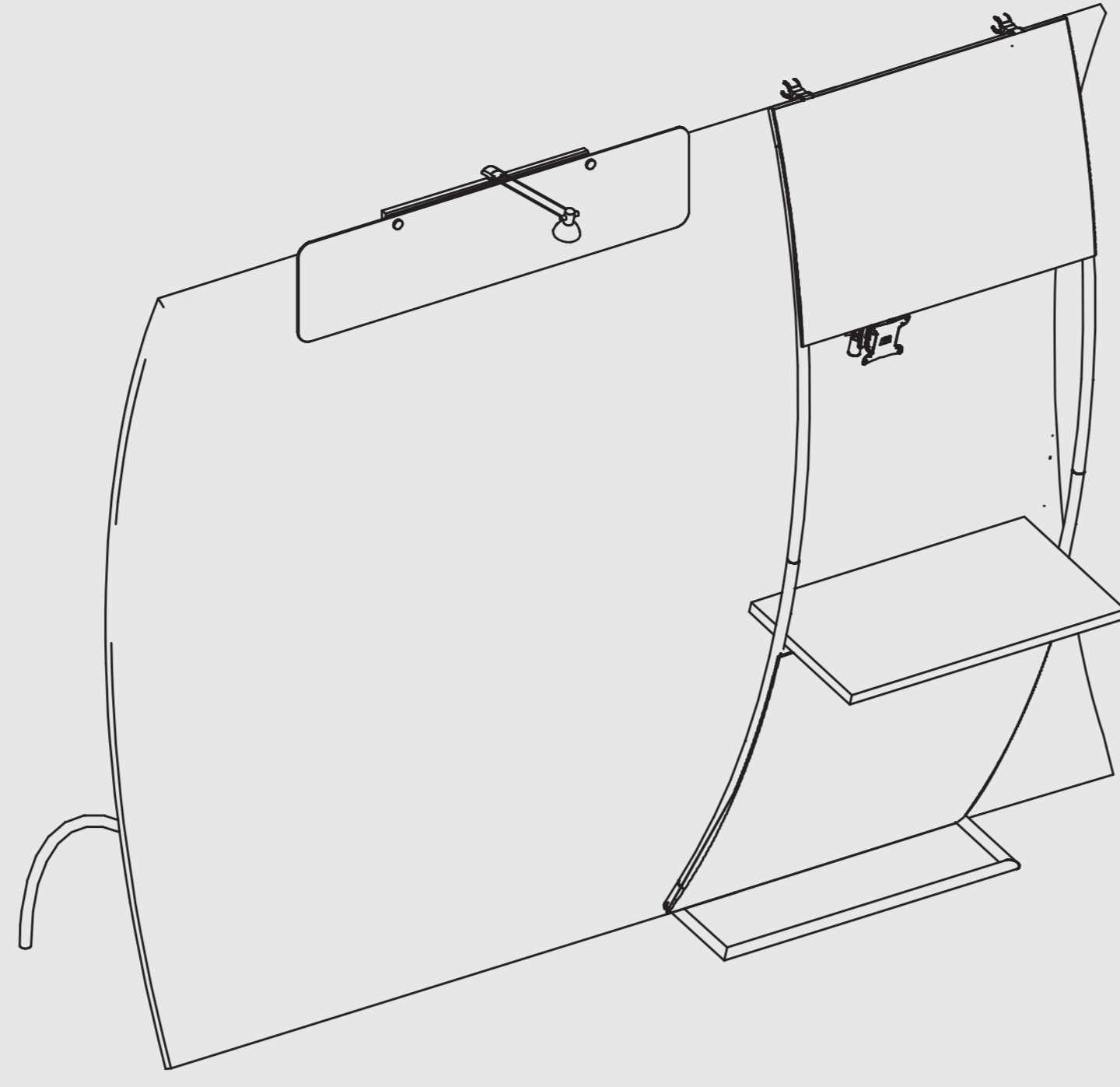
**Formulate:  
Accent 04**

**TOP**

Total Graphic Area: 41.4"w X 28.5"h  
Total Visual Area: 37.4"w X 24.5"h

**BOTTOM**

Total Graphic Area: 41.4"w X 42.2"h  
Total Visual Area: 37.4"w X 38.2"h



Use separate template for formulate backwall graphic. This template only represents the accent graphics.

Please be sure to include the 2" bleed around the perimeter (note trim & stitch locations on template). DO NOT design any critical elements (text, logos, etc.) within 1" of the edge.

**General Art Guidelines:**

- CMYK Color Mode
- All Solid Coated Pantone colors should be called out in the art as spot colors
- Embed all images and support files
- Resolution must be 100-120 ppi
- All fonts must be created to outlines
- Do not scale artboard
- Background color/images must bleed to the edge of artboard
- Do not use spot colors from template in your artwork as they will not print

TOP

BOTTOM

- bleed area ———
- trim line ———
- safe zone ———

## Formulate: Accent 04

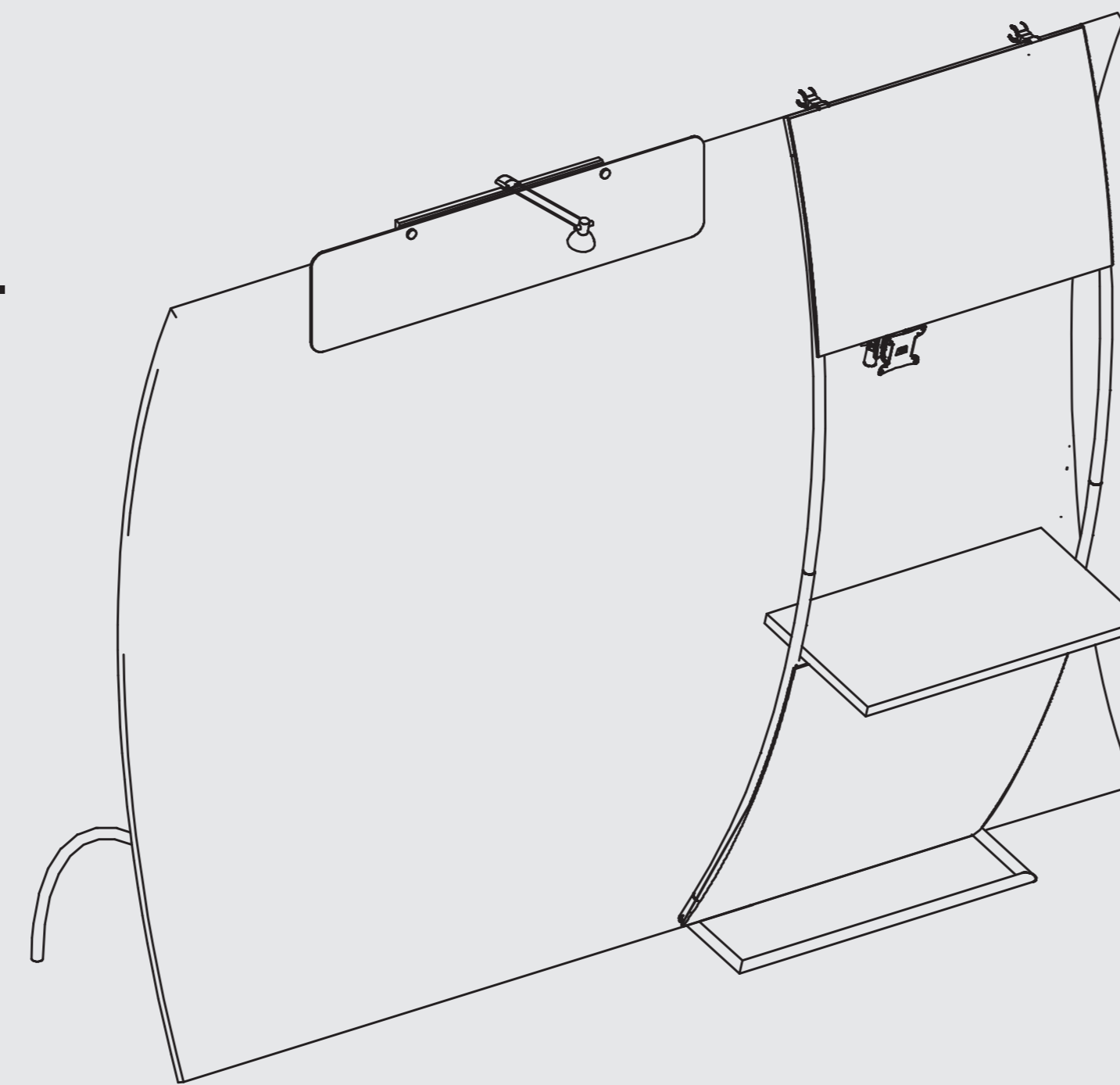
---

### TOP

Total Graphic Area: 41.4" w X 28.5" h  
Total Visual Area: 37.4" w X 24.5" h

### BOTTOM

Total Graphic Area: 41.4" w X 42.2" h  
Total Visual Area: 37.4" w X 38.2" h



Use separate template for formulate backwall graphic. This template only represents the accent graphics.

Please be sure to include the 2" bleed around the perimeter (note trim & stitch locations on template). DO NOT design any critical elements (text, logos, etc.) within 1" of the edge.

## General Art Guidelines:

---

- CMYK Color Mode
- All Solid Coated Pantone colors should be called out in the art as spot colors
- Embed all images and support files
- Resolution must be 100-120 ppi
- All fonts must be created to outlines
- Do not scale artboard
- Background color/images must bleed to the edge of artboard
- Do not use spot colors from template in your artwork as they will not print

TOP



# BOTTOM

- bleed area ————
- trim line ————
- safe zone ————