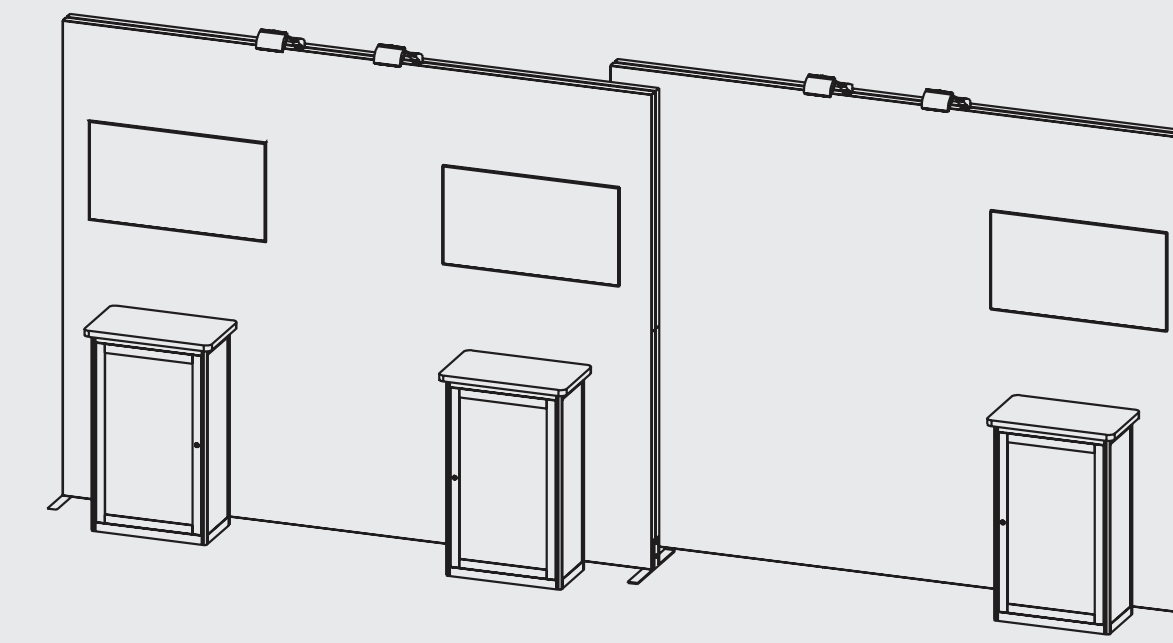


Hybrid Pro Modular Kit: Hybrid Pro Modular Kit 14



TEMPLATE @ 1/2 SIZE

Dye Sub Gaphic Panel A

Total Graphic Area: 122" w x 98.375" h

Finished Graphic Area: 118" w x 94.375" h

Dye Sub Graphic Panel B

Total Graphic Area: 122" w x 98.375" h

Finished Graphic Area: 118" w x 94.375" h

Viewable area: 106.44" w x 94.375

Please be sure to include 2" of bleed around the perimeter.

Please consider obstructions and spaces created by the extrusions when designing your graphics.

Please design the hybrid counter artwork on a seperate template.

General Art Guidelines:

- CMYK Color Mode
- All Solid Coated Pantone colors should be called out in the art as spot colors
- Embed all images and support files
- Resolution must be 200-240 ppi at half scale, 100-120 ppi at full scale
- All fonts must be created to outlines
- Do not scale artboard
- Background color/images must bleed to the edge of artboard
- Do not use spot colors from template in your artwork as they will not print

REPRESENTS
OBSTRUCTION ONLY

REPRESENTS
OBSTRUCTION ONLY

PANEL A

REPRESENTS
OBSTRUCTION ONLY

Use separate template for
hybrid counter 07 graphic.
This panel only
represents placement
to show the
obstructed area.

REPRESENTS
OBSTRUCTION ONLY

Use separate template for
hybrid counter 07 graphic.
This panel only
represents placement
to show the
obstructed area.

REPRESENTS OBSTRUCTION FROM FRAME A

PANEL B

REPRESENTS
OBSTRUCTION ONLY

REPRESENTS
OBSTRUCTION ONLY
Use separate template for
hybrid counter 07 graphic.
This panel only
represents placement
to show the
obstructed area.

bleed area
trim line
safe zone