

Setup Instructions

Blimp Tube Tapered Circular Sign



GENERAL INFORMATION

Thank you for choosing MODdisplays!

Please check our **Waveline** playlist on the MODdisplays YouTube channel, youtube.com/moddisplays, for quick instructional videos on this display style.

For additional information please feel free to call us at 1.877.663.3976 or visit our website at MODdisplays.com.

Our office hours are weekdays 9:00 AM to 6:00 PM EST. If you need assistance over the weekend, please email support@moddisplays.com and one of our staff members will respond as soon as possible.

TOOLS

No tools required

PARTS

(A) 4 curved poles



(B) 6 support poles



(C) 6 support cables

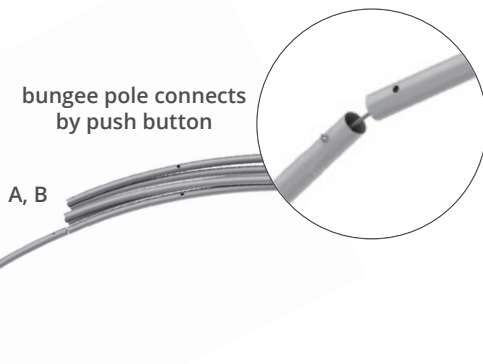


(D) 1 fabric graphic



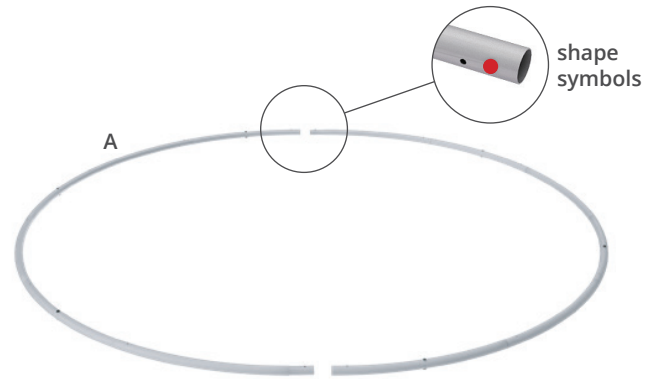
STEP 01

Assemble all poles (A, B).



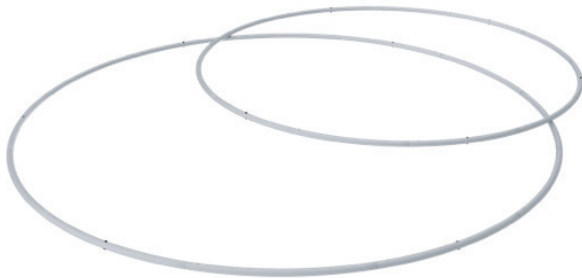
STEP 02

Connect all pole (A) sections with any corresponding matching symbols.



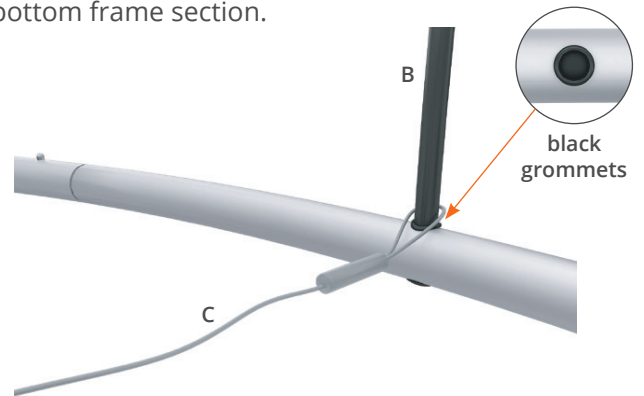
STEP 03

Align two frames together making sure the grommet holes in the sides of the poles face each other.



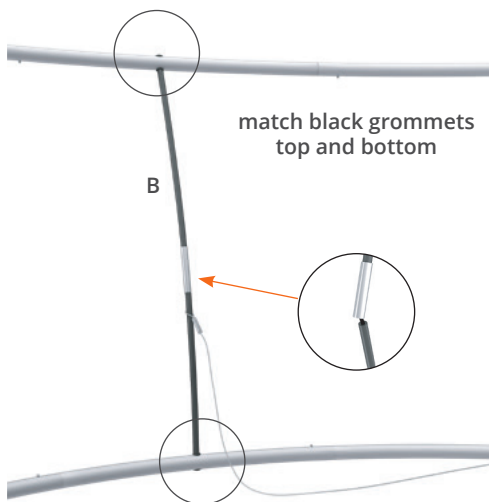
STEP 04

Push all support poles (B) into one frame. Locate all the poles pushed into black grommets and place one end of a support cable (C) eyelet over those poles into bottom frame section.



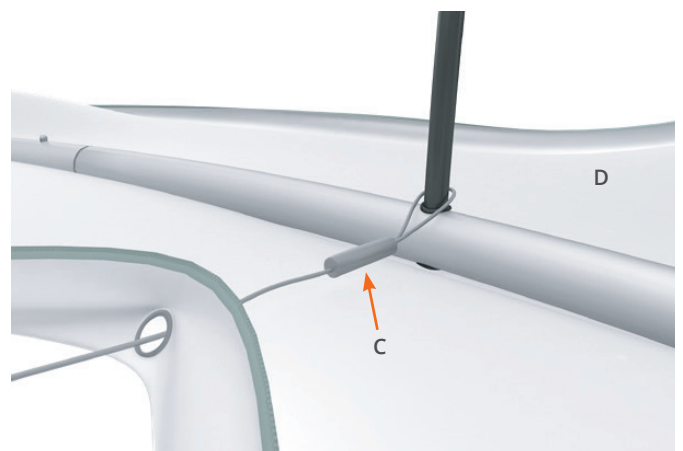
STEP 05

Align top frame to bottom frame and push support poles (B) into the frame. With some force connect the support poles in the middle to complete.



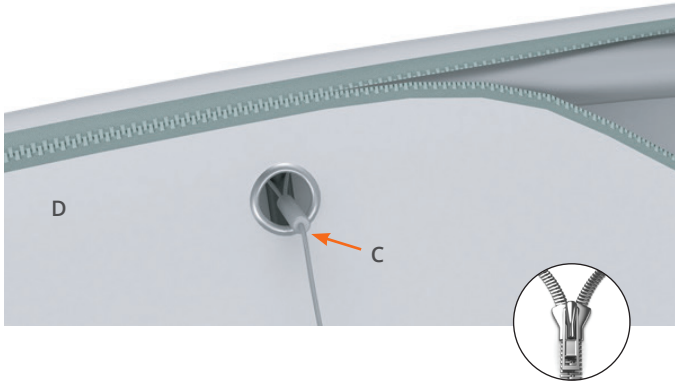
STEP 06

Unzip fabric graphic (D) and place one frame inside. Position holes on frame to align with eyelets in graphic. Thread support cable (C) through eyelet. Repeat for all eyelets.



STEP 07

Zip fabric graphic (D) closed around top of frame. Pull all support cables (C) out until inside loop is flush with eyelets. Attach all support cables together at a single point for hanging.



STEP 08

Complete.

