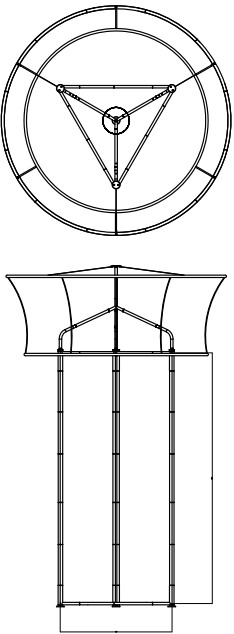
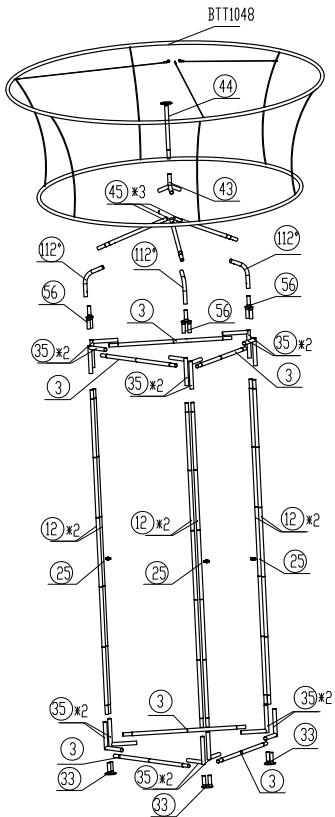


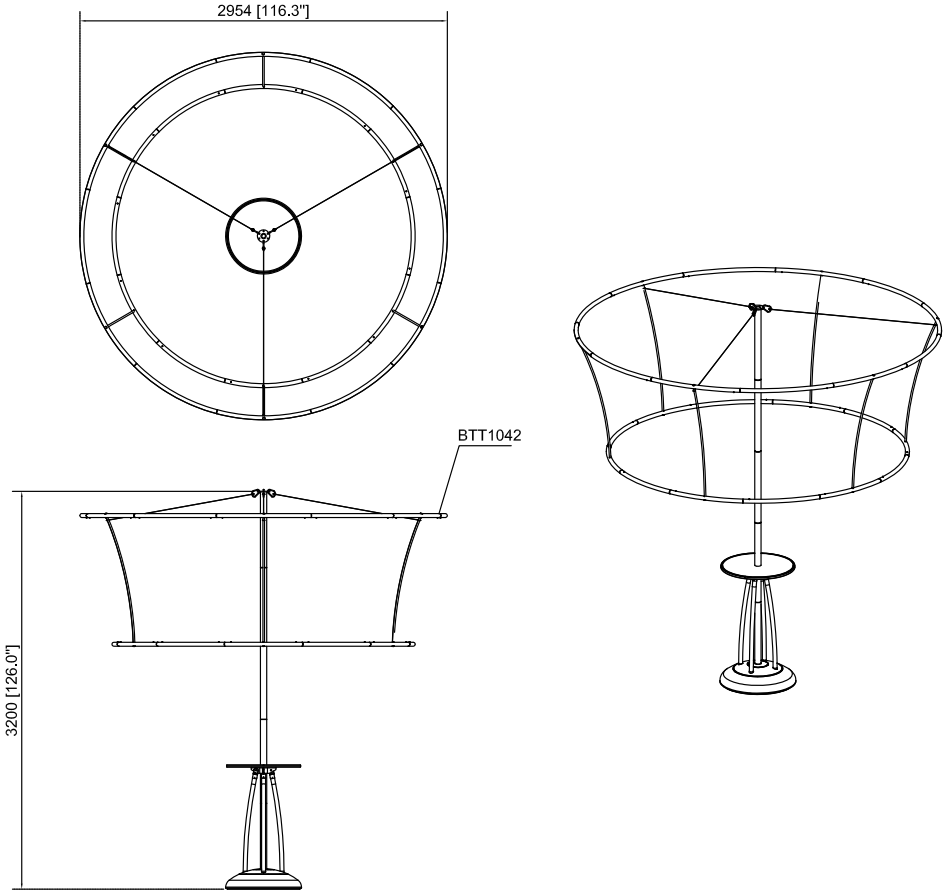
WAVELINE®
BLIMP TOWER

BLIMP-H-TWT1048



Hardware						Graphics		Accessories			Shipping Case			Option										
33	3		43	1		BT1048	1						CA900											
3	6		44	1									NYLON BAG											
35	12		25	3																				
12	6		56	3																				
45	3		112°	3																				
No.	Quantity	Confirm	No.	Quantity	Confirm	No.	Quantity	Confirm	No.	Quantity	Confirm	Confirm	No.	Quantity	Confirm	No.	Quantity	Confirm	No.	Quantity	Confirm	No.	Quantity	Confirm

BLIMP-H-TWB1042



Hardware						Graphics			Accessories			Shipping Case			Option				
BLIMP-H-TWB1042	1					/	Single or Double-sided												
							None												
							Complete												
							Split-ship												
No.	Quantity	Confirm	No.	Quantity	Confirm	No.	Quantity	Confirm	Confirm	No.	Quantity	Confirm	No.	Quantity	Confirm	No.	Quantity	Confirm	