

# Optimus 20' x 20' Truss System UV Printed

## TEMPLATE IS @ 1/4 SCALE

Panels OP1-A, OP2-A, OP1-B, OP2-B,  
OP1-C, OP2-C, OP1-D, OP2-D

Total Graphic Area: 26.75" w x 81" h  
Finished Size: 25.75" w x 80" h

Panels OP3-A and OP3-C  
(Double Sided Prints)

Total Graphic Area: 26.75" w x 111.25" h  
Finished Size: 25.75" w x 110.25" h  
Visual Size: 23.75" w x 108.25" h

Panels OP3-B and OP3-D  
(Double Sided Prints)

Total Graphic Area: 26.75" w x 111.25" h  
Finished Size: 25.75" w x 110.25" h

Panels OP4-A, OP4-B, OP4-C, OP4-D:  
Total Graphic Area: 85.25" w x 26.75" h  
Finished Size: 84.25" w x 25.75" h

Panels OP5-A, OP5-B, OP5-C, OP5-D:  
Total Graphic Area: 75.75" w x 26.75" h  
Finished Size: 74.75" w x 25.75" h

Template requires 1/8" bleed around the  
perimeter (1/2" around the perimeter when  
scaled to 400% and printed)

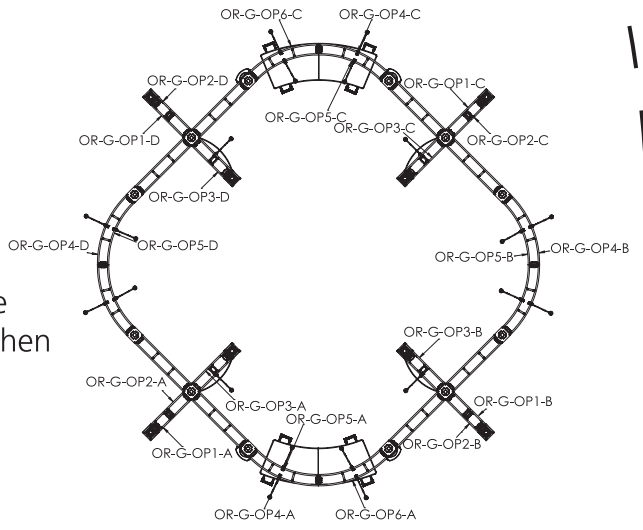
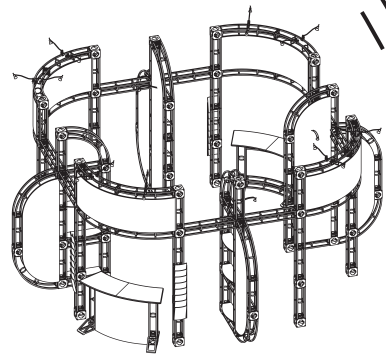
FS = Graphic is front side mounted  
(3/4" w magnet is applied to the back  
of the panel)

BS = Graphic is back side mounted  
(3/4" w velcro is applied to the front  
of the panel)

Notching = 7/8" square that is cut into  
the appropriate location.

Hinging = 3/4" strip of material that is  
cropped from the panel and reapplied  
with hinge tape.

Allows two graphics to share the same  
extrusion corner.



## General Art Guidelines:

- CMYK Color Mode
- All Solid Coated Pantone colors should be called out in the art as spot colors
- Embed all images and support files
- Resolution must be 400-480 ppi @ 1/4 size, 100-120ppi @ 100% size
- All fonts must be created to outlines
- Do not scale artboard
- Background color/images must bleed to the edge of artboard
- Do not use spot colors from template in your artwork as they will not print

# FS

# OR-G-OP2-A

panel is notched  
on top left corner



# FS

## OR-G-OP1-A

panel is notched  
on top right corner

— bleed area

— trim line

**BS**

**(Frontside  
of Double  
Sided Print)  
OR-G-OP3-A**

panel is notched  
7/8" x 6.25" h  
on left side

gray area will  
be obstructed  
once finished  
and mounted

**110.25" height**

**(Backside of  
Double  
Sided Print)  
OR-G-OP3-A**

panel is notched  
7/8" x 6.25" h  
on left side

**FS**

**OR-G-OP4-A**

**FS**

**OR-G-OP5-A**



# **FS**

## **OR-G-OP2-B**

panel is notched  
on top left corner



**FS**

**OR-G-OP1-B**

panel is notched  
on top right corner

# FS

**(Frontside  
of Double  
Sided Print)  
OR-G-OP3-B**

panel is notched  
7/8" x 6.25" h  
on left side

**110.25" height**

# (Backside of Double Sided Print) OR-G-OP3-B

panel is notched  
7/8" x 6.25" h  
on left side



**FS**

**OR-G-OP4-B**

**FS**

**OR-G-OP5-B**



# **FS**

## **OR-G-OP2-C**

panel is notched  
on top left corner

# **FS**

## **OR-G-OP1-C**

panel is notched  
on top right corner

**BS**

**(Frontside  
of Double  
Sided Print)  
OR-G-OP3-C**

panel is notched  
7/8" x 6.25" h  
on left side

**110.25" height**

**(Backside of  
Double  
Sided Print)  
OR-G-OP3-C**

panel is notched  
7/8" x 6.25" h  
on left side

**FS**

**OR-G-OP4-C**

**FS**

**OR-G-OP5-C**



# FS

## OR-G-OP2-D

panel is notched  
on top left corner





# **FS**

## **OR-G-OP1-D**

panel is notched  
on top right corner

# FS

**(Frontside  
of Double  
Sided Print)  
OR-G-OP3-D**

panel is notched  
7/8" x 6.25" h  
on left side

**110.25" height**

**(Backside of  
Double  
Sided Print)  
OR-G-OP3-D**

panel is notched  
7/8" x 6.25" h  
on left side

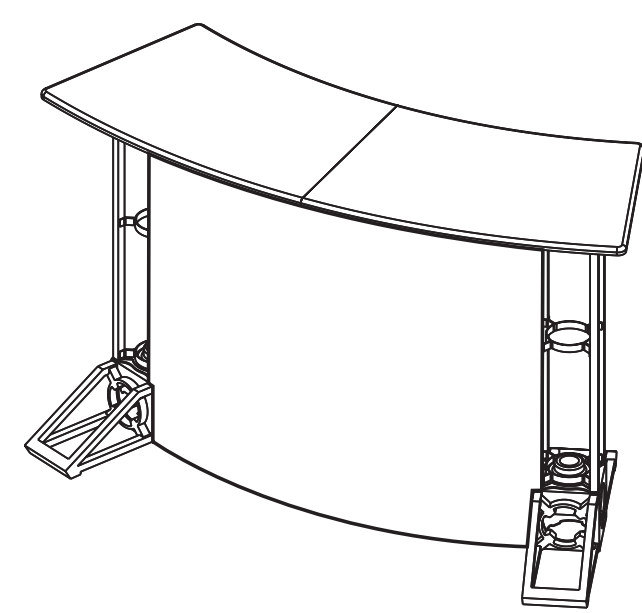
**FS**

**OR-G-OP4-D**

**FS**

**OR-G-OP5-D**

# Truss Counter Curved Style A UV Printed



Front Side Panel:

Total Graphic Area: 44" x 37.125"

Finished Size: 43" x 36.125"

Template requires 1/2" bleed around the perimeter

FS = Graphic is front side mounted (3/4" w magnet is applied to the back of the panel)

Notching = 7/8" x 6 1/8" rectangle that is cut into the appropriate location.

## General Art Guidelines:

- CMYK Color Mode
- All Solid Coated Pantone colors should be called out in the art as spot colors
- Embed all images and support files
- Resolution must be 100-120ppi @ 100% size
- All fonts must be created to outlines
- Do not scale artboard
- Background color/images must bleed to the edge of artboard
- Do not use spot colors from template in your artwork as they will not print

# FS Compatible with Truss Counter: OR-G-TC-C-L

notched  
.875" x 6.125"  
on bottom  
left and right side.

— bleed area

— trim line