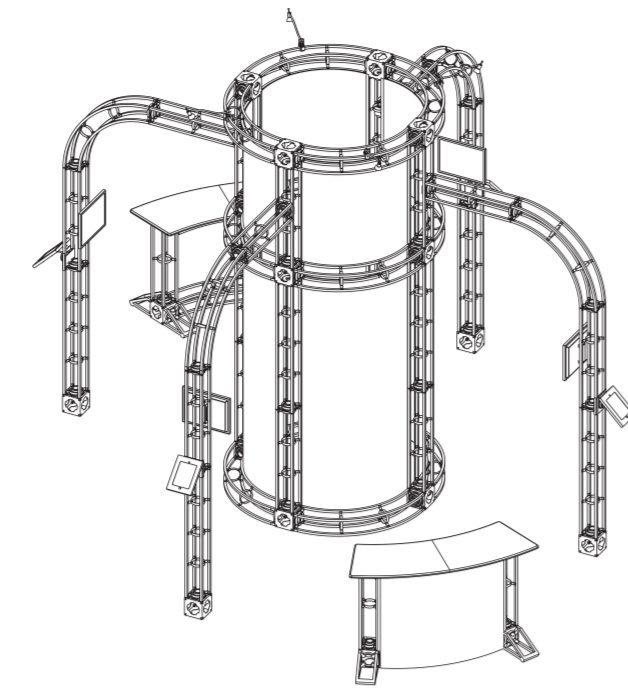
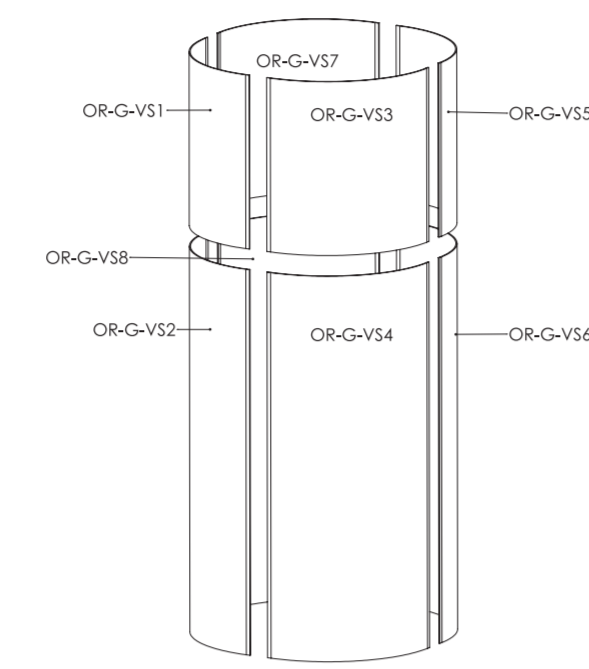


Vesta
20' x 20' Truss System
Dye Sub Printed



Panels VS1, VS3, VS5 and VS7:
Total Graphic Area: 43.5" w x 41.75" h
Finished Size: 39.5" w x 37.75" h
Visual Size: 37.5" w x 35.75" h



Panels VS2, VS4, VS6 and VS8:
Total Graphic Area: 43.5" w x 87.75" h
Finished Size: 39.5" w x 83.75" h
Visual Size: 37.5" w x 81.75" h

Template requires 2" bleed around the perimeter

FS = Graphic is front side mounted (3/4" w velcro is applied to the back of the panel)

BS = Graphic is back side mounted (3/4" w velcro is applied to the front of the panel)

Notching = 7/8" square that is cut into the appropriate location.

Hinging = 3/4" strip of material that is created by notching the graphic. Allows two graphics to share the same extrusion corner.

BS

General Art Guidelines:

- CMYK Color Mode
- All Solid Coated Pantone colors should be called out in the art as spot colors
- Embed all images and support files
- Resolution must be 100-120ppi
- All fonts must be created to outlines
- Do not scale artboard
- Background color/images must bleed to the edge of artboard
- Do not use spot colors from template in your artwork as they will not print

OR-G-VS1

BS
OR-G-VS2

— bleed area
— trim line

BS

OR-G-VS3

BS
OR-G-VS4

BS

OR-G-VS5

BS
OR-G-VS6

BS

OR-G-VS7

BS

OR-G-VS8

gray area will
be obstructed
once finished
and mounted