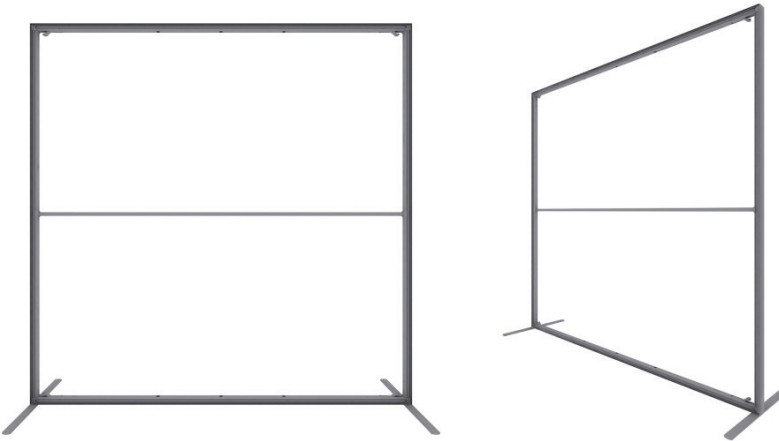
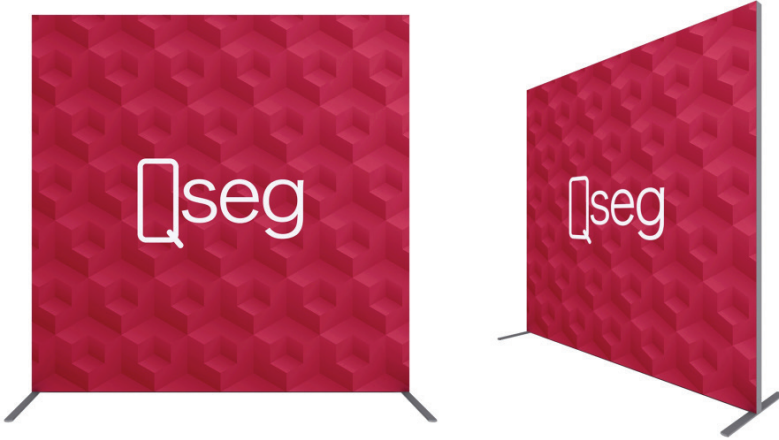


QSEG 4.9 X 4.9FT - FULL GRAPHIC PRINT

QSEG MODULAR SEG DISPLAY
 PRODUCT CODE: QSEG150x150-FCP-G



On frame On graphic



TRAVEL BAG CLOSED



TRAVEL BAG OPEN

PRODUCT DESCRIPTION

Use Qseg for social distancing solutions for work environments as office partitions and cubicles. Help keep safe physical distance between employees and customers with today's health and safety regulations. By strategically placing our lightweight and portable walls. Padded travel bags are included to keep your frames and graphics protected during transport and storage. With many wall sizes and connector accessories. Effortlessly creating numerous configurations that meet your needs. Connector options are either 2 way (90°) or 4 way (180°). Other graphic options are full custom printed dye sublimated graphics or TPU plastic for hygienic sneeze guards and partitions.

DISPLAY DIMENSIONS	59"W x 59"H x 10.25"D
GRAPHIC SIZE	61.5"W x 61.5"H

GRAPHIC MATERIAL

Dye Sub Stretch Fabric

GRAPHIC FINISHING

Silicone beading sewn onto edge of graphic

DISPLAY CONSTRUCTION

Aluminum extrusion frame with plastic components

SHIPPING WEIGHTS & DIMENSIONS

Shipping Weight	14 lbs (frame only)
	16 lbs (frame & graphic)
Shipping Dimensions	60.25"W x 7"H x 3.5"D

GRAPHIC TURN AROUND TIME

2 business days after proof approval (up to 6 sets)

AVAILABILITY	PFC
--------------	-----



SILICONE EDGE GRAPHIC INSTALLATION



SINGLE FOOT CONNECTION



VERTICAL PROFILE CONNECTION



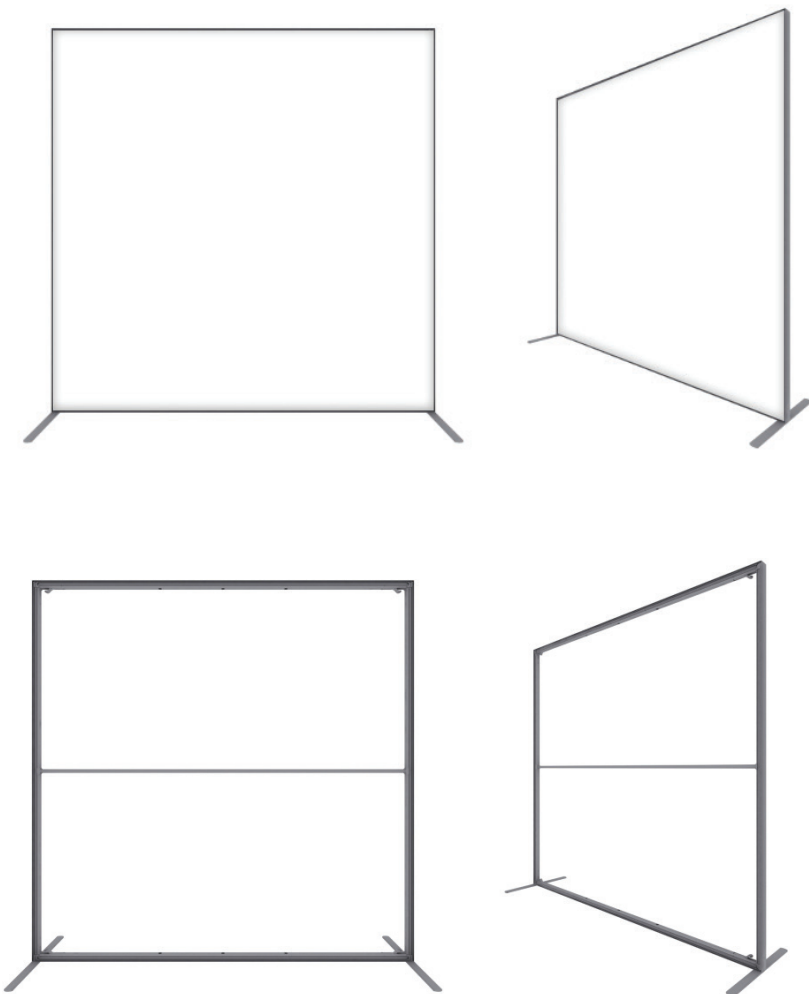
TOOL FREE CORNER LOCKS

QSEG 4.9 X 4.9FT - UNPRINTED BLANK FABRIC

QSEG MODULAR SEG DISPLAY
 PRODUCT CODE: QSEG150x150-U-G



On frame On graphic



PRODUCT DESCRIPTION

Use Qseg for social distancing solutions for work environments as office partitions and cubicles. Help keep safe physical distance between employees and customers with today's health and safety regulations. By strategically placing our lightweight and portable walls. Padded travel bags are included to keep your frames and graphics protected during transport and storage. With many wall sizes and connector accessories. Effortlessly creating numerous configurations that meet your needs. Connector options are either 2 way (90°) or 4 way (180°) Other graphic options are full custom printed dye sublimated graphics or TPU plastic for hygienic sneeze guards and partitions.

DISPLAY DIMENSIONS	59"W x 59"H x 10.25"D
GRAPHIC SIZE	61.5"W x 61.5"H

GRAPHIC MATERIAL

Unprinted Stretch Fabric

GRAPHIC FINISHING

Silicone beading sewn onto edge of graphic

DISPLAY CONSTRUCTION

Aluminum extrusion frame with plastic components

SHIPPING WEIGHTS & DIMENSIONS

Shipping Weight	14 lbs (frame only)
	16 lbs (frame & graphic)
Shipping Dimensions	60.25"W x 7"H x 3.5"D

GRAPHIC TURN AROUND TIME

2 business days after proof approval (up to 6 sets)

AVAILABILITY	PFC
--------------	-----



TRAVEL BAG CLOSED



TRAVEL BAG OPEN



SILICONE EDGE GRAPHIC INSTALLATION



SINGLE FOOT CONNECTION



VERTICAL PROFILE CONNECTION



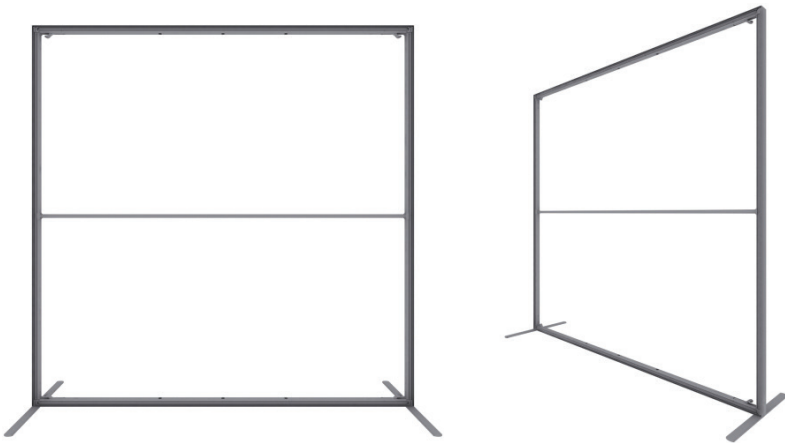
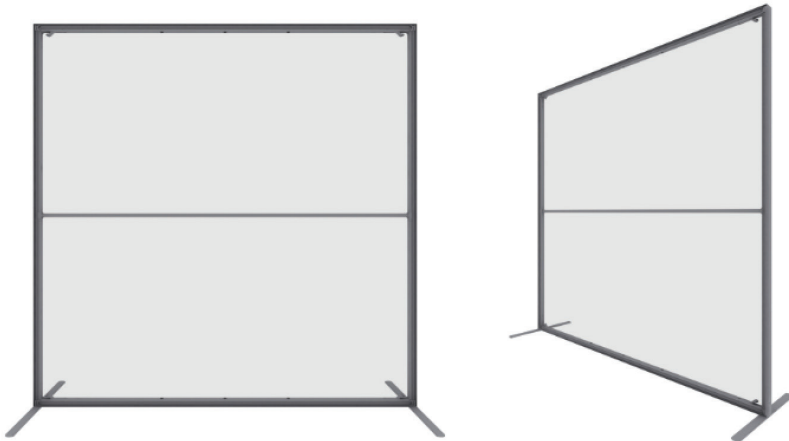
TOOL FREE CORNER LOCKS

QSEG 4.9 X 4.9FT - CLEAR TPU MATERIAL

QSEG MODULAR SEG DISPLAY
 PRODUCT CODE: QSEG150x150-CW-G



On frame On graphic



PRODUCT DESCRIPTION

Use Qseg for social distancing solutions for work environments as office partitions and cubicles. Help keep safe physical distance between employees and customers with today's health and safety regulations. By strategically placing our lightweight and portable walls. Padded travel bags are included to keep your frames and graphics protected during transport and storage. With many wall sizes and connector accessories. Effortlessly creating numerous configurations that meet your needs. Connector options are either 2 way (90°) or 4 way (180°). Other graphic options are full custom printed dye sublimated graphics or TPU plastic for hygienic sneeze guards and partitions.

DISPLAY DIMENSIONS	59"W x 59"H x 10.25"D
GRAPHIC SIZE	61.5"W x 61.5"H

GRAPHIC MATERIAL

Clear TPU Material

GRAPHIC FINISHING

Silicone beading sewn onto edge of graphic

DISPLAY CONSTRUCTION

Aluminum extrusion frame with plastic components

SHIPPING WEIGHTS & DIMENSIONS

Shipping Weight	14 lbs (frame only)
	16 lbs (frame & graphic)
Shipping Dimensions	60.25"W x 7"H x 3.5"D

GRAPHIC TURN AROUND TIME

2 business days after proof approval (up to 6 sets)

AVAILABILITY	PFC
--------------	-----



TRAVEL BAG CLOSED



TRAVEL BAG OPEN



SILICONE EDGE GRAPHIC INSTALLATION



SINGLE FOOT CONNECTION



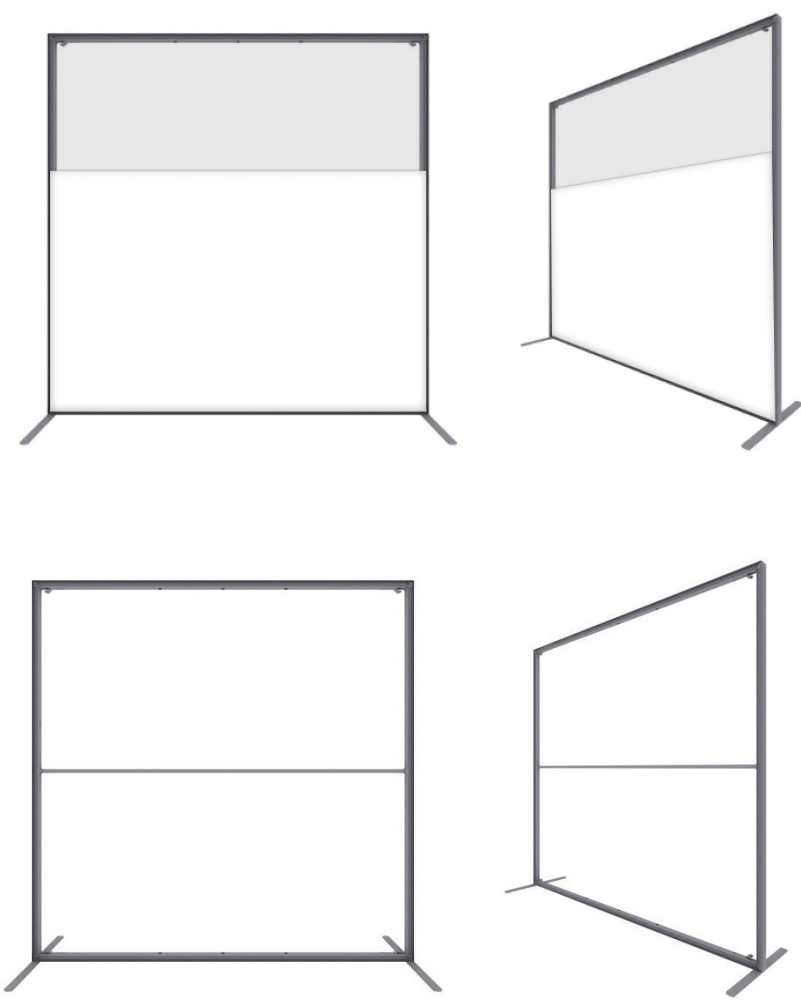
VERTICAL PROFILE CONNECTION



TOOL FREE CORNER LOCKS

QSEG 4.9 X 4.9FT - CLEAR TPU + UNPRINTED BLANK FABRIC

QSEG MODULAR SEG DISPLAY
 PRODUCT CODE: QSEG150x150-HUCW-G



PRODUCT DESCRIPTION

Use Qseg for social distancing solutions for work environments as office partitions and cubicles. Help keep safe physical distance between employees and customers with today's health and safety regulations. By strategically placing our lightweight and portable walls. Padded travel bags are included to keep your frames and graphics protected during transport and storage. With many wall sizes and connector accessories. Effortlessly creating numerous configurations that meet your needs. Connector options are either 2 way (90°) or 4 way (180°). Other graphic options are full custom printed dye sublimated graphics or TPU plastic for hygienic sneeze guards and partitions.

DISPLAY DIMENSIONS	59"W x 59"H x 10.25"D
GRAPHIC SIZE	61.5"W x 61.5"H

GRAPHIC MATERIAL

Unprinted Stretch Fabric + Clear TPU Material

GRAPHIC FINISHING

Silicone beading sewn onto edge of graphic

DISPLAY CONSTRUCTION

Aluminum extrusion frame with plastic components

SHIPPING WEIGHTS & DIMENSIONS

Shipping Weight	14 lbs (frame only)
	16 lbs (frame & graphic)
Shipping Dimensions	60.25"W x 7"H x 3.5"D

GRAPHIC TURN AROUND TIME

2 business days after proof approval (up to 6 sets)

AVAILABILITY	PFC
--------------	-----



TRAVEL BAG CLOSED



TRAVEL BAG OPEN



SILICONE EDGE GRAPHIC INSTALLATION



SINGLE FOOT CONNECTION



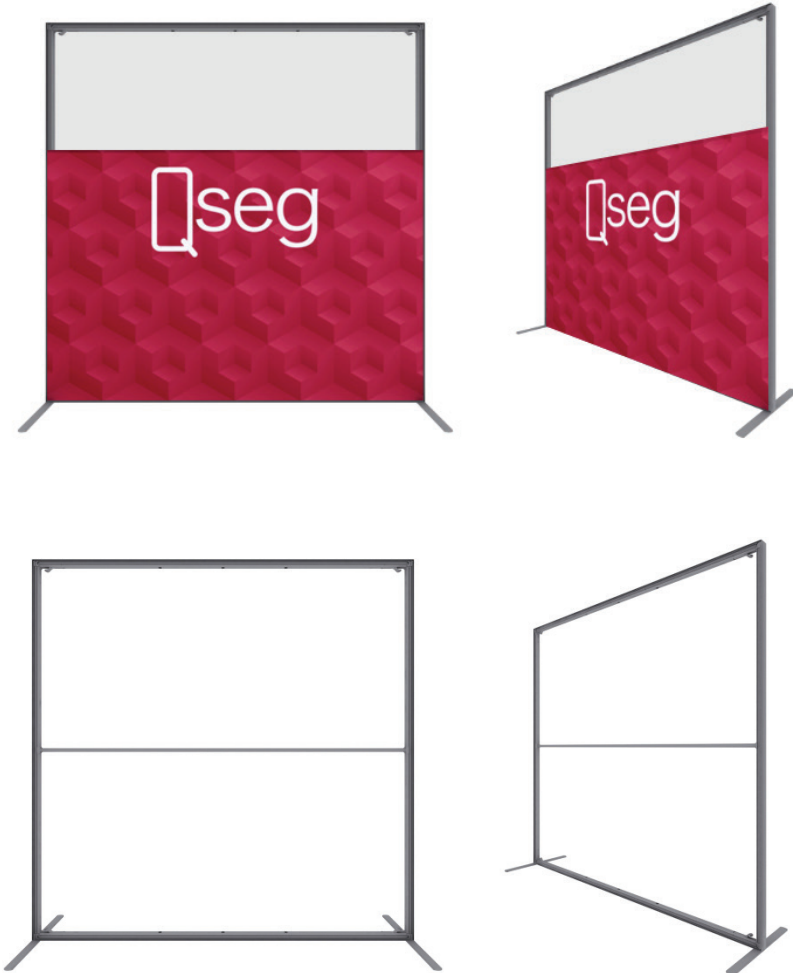
VERTICAL PROFILE CONNECTION



TOOL FREE CORNER LOCKS

QSEG 4.9 X 4.9FT - FULL GRAPHIC PRINT + CLEAR TPU

QSEG MODULAR SEG DISPLAY
 PRODUCT CODE: QSEG150x150-HPCW-G



PRODUCT DESCRIPTION

Use Qseg for social distancing solutions for work environments as office partitions and cubicles. Help keep safe physical distance between employees and customers with today's health and safety regulations. By strategically placing our lightweight and portable walls. Padded travel bags are included to keep your frames and graphics protected during transport and storage. With many wall sizes and connector accessories. Effortlessly creating numerous configurations that meet your needs. Connector options are either 2 way (90°) or 4 way (180°). Other graphic options are full custom printed dye sublimated graphics or TPU plastic for hygienic sneeze guards and partitions.

DISPLAY DIMENSIONS	59"W x 59"H x 10.25"D
GRAPHIC SIZE	61.5"W x 61.5"H

GRAPHIC MATERIAL
 Dye Sub Stretch Fabric + TPU Clear Material

GRAPHIC FINISHING
 Silicone beading sewn onto edge of graphic

DISPLAY CONSTRUCTION
 Aluminum extrusion frame with plastic components

SHIPPING WEIGHTS & DIMENSIONS

Shipping Weight	14 lbs (frame only) 16 lbs (frame & graphic)
Shipping Dimensions	60.25"W x 7"H x 3.5"D

GRAPHIC TURN AROUND TIME
 2 business days after proof approval (up to 6 sets)

AVAILABILITY	PFC
---------------------	-----



TRAVEL BAG CLOSED

TRAVEL BAG OPEN



SILICONE EDGE GRAPHIC INSTALLATION



SINGLE FOOT CONNECTION



VERTICAL PROFILE CONNECTION



TOOL FREE CORNER LOCKS

QSEG 4.9 X 4.9FT

QSEG MODULAR SEG DISPLAY
PRODUCT CODE: QSEG-150x150-G

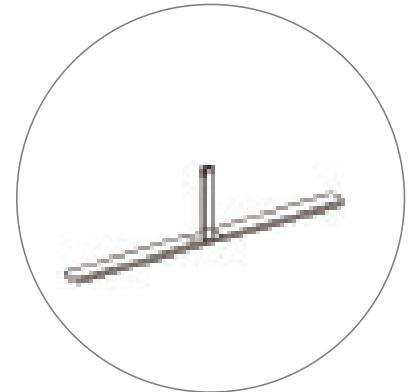
PARTS LIST



(qty 2)
Horizontal Profile



(qty 2)
Vertical Profile



(qty 2)
Foot Full

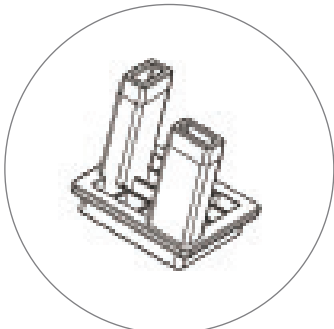


(qty 1)
Travel Bag

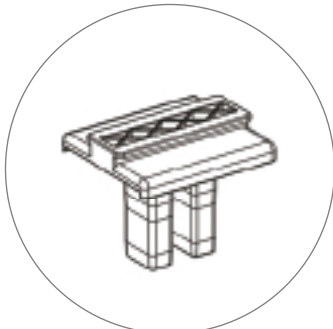
QSEG 4.9 X 4.9FT

QSEG MODULAR SEG DISPLAY
PRODUCT CODE: QSEG-150x150-G

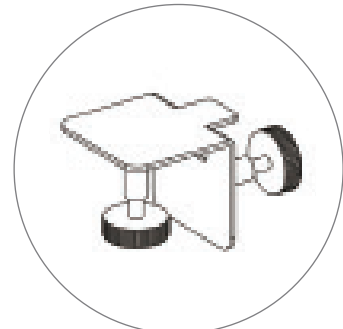
AVAILABLE ACCESSORIES



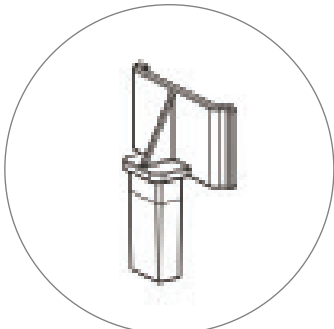
QSEG-LCON
Qseg L connector (pair)



QSEG-SCON
QSEG Straight Connector



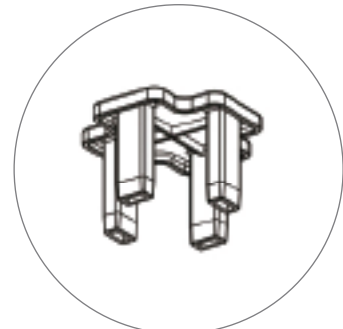
QSEG-BC
QSEG Bridge Connector



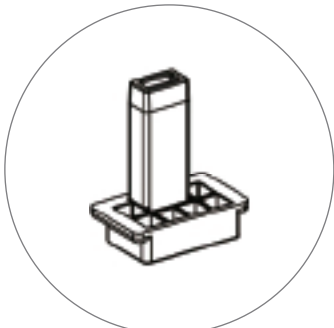
QSEG-LHCON
QSEG Low-High Connector



QSEG-TCON
QSEG T Connector



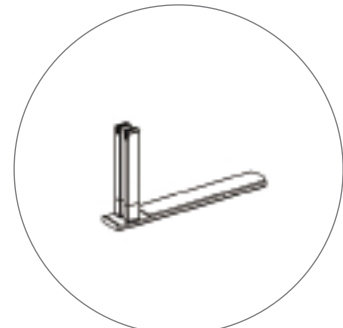
QSEG-CC
QSEG Cross Connector



QSEG-FP
QSEG Foot Pad



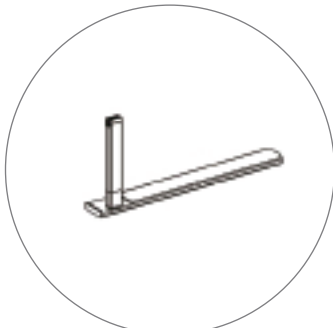
QSEG-TPF
QSEG Twin Pole Foot (Full)



QSEG-TPFH
QSEG Twin Pole Foot (Half)



QSEG-FF
QSEG Foot (Full)

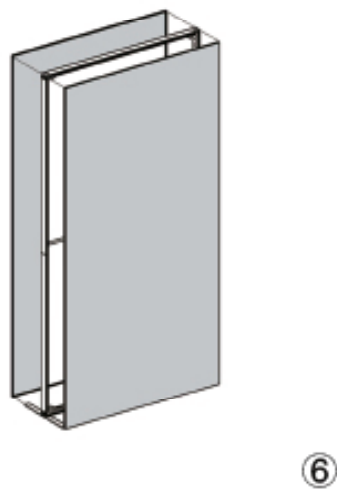
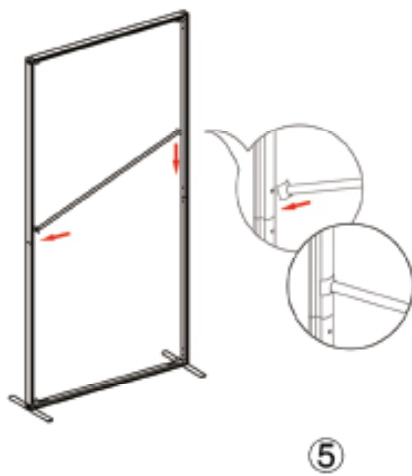
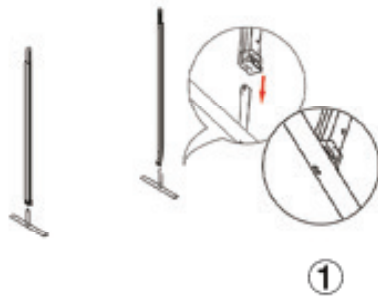


QSEG-FH
QSEG Foot (Half)



LACAJA
La Caja Hardcase

SET UP INSTRUCTIONS



QSEG 4.9 X 4.9FT

QSEG MODULAR SEG DISPLAY
PRODUCT CODE: QSEG-150x150-G

TEMPLATE

PLEASE DELETE ALL TEMPLATE ELEMENTS BEFORE UPLOADING

QSEG 4.9 x 4.9ft

GRAPHIC DIMENSIONS: 61.5"W x 41.5"H
YELLOW SAFE AREA: 52.5"W x 32.5"H

UPLOAD AT 100% SCALE
DOCUMENT SIZE 61.5" x 41.5"
USE SAME TEMPLATE FOR FRONT AND BACK

KEEP ALL IMPORTANT GRAPHICS
SPONSOR LOGOS, TEXT, CONTACT INFO, ETC.
IN THE YELLOW SAFE ZONE

ARTWORK IN THE BLUE AREA WILL PRINT BUT IS AT RISK
OF BEING CROPPED TO THE EDGE OR TRIMMED OFF

Graphic Specifications

- Create to template specs
- 125 DPI resolution
- CMYK color
- No template lines
- Embed/link all images
- Create to outline all fonts

Acceptable file formats

- Photoshop (.psd, .psb)
- Illustrator (.ai, .eps)
- **Illustrator 2017**
- Press quality .pdf

Yw-00223