

QSEG 1.6 X 4.9FT - FULL GRAPHIC PRINT

QSEG MODULAR SEG DISPLAY
 PRODUCT CODE: QSEG-50x150-FCP-G



TRAVEL BAG CLOSED



TRAVEL BAG OPEN

PRODUCT DESCRIPTION

Use Qseg for social distancing solutions for work environments as office partitions and cubicles. Help keep safe physical distance between employees and customers with today's health and safety regulations. By strategically placing our lightweight and portable walls. Padded travel bags are included to keep your frames and graphics protected during transport and storage. With many wall sizes and connector accessories. Effortlessly creating numerous configurations that meet your needs. Connector options are either 2 way (90°) or 4 way (180°). Other graphic options are full custom printed dye sublimated graphics or TPU plastic for hygienic sneeze guards and partitions.

| | |
|--------------------|--------------------------|
| DISPLAY DIMENSIONS | 19.75"W x 59"H x 10.25"D |
| GRAPHIC SIZE | 22"W x 61.5"H |

GRAPHIC MATERIAL

Dye Sub Stretch Fabric

GRAPHIC FINISHING

Silicone beading sewn onto edge of graphic

DISPLAY CONSTRUCTION

Aluminum extrusion frame with plastic components

SHIPPING WEIGHTS & DIMENSIONS

| | |
|---------------------|--------------------------|
| Shipping Weight | 11 lbs (frame only) |
| | 13 lbs (frame & graphic) |
| Shipping Dimensions | 60.25"W x 7"H x 3.5" D |

GRAPHIC TURN AROUND TIME

2 business days after proof approval (up to 6 sets)

| | |
|--------------|-----|
| AVAILABILITY | PFC |
|--------------|-----|



SILICONE EDGE GRAPHIC INSTALLATION



SINGLE FOOT CONNECTION



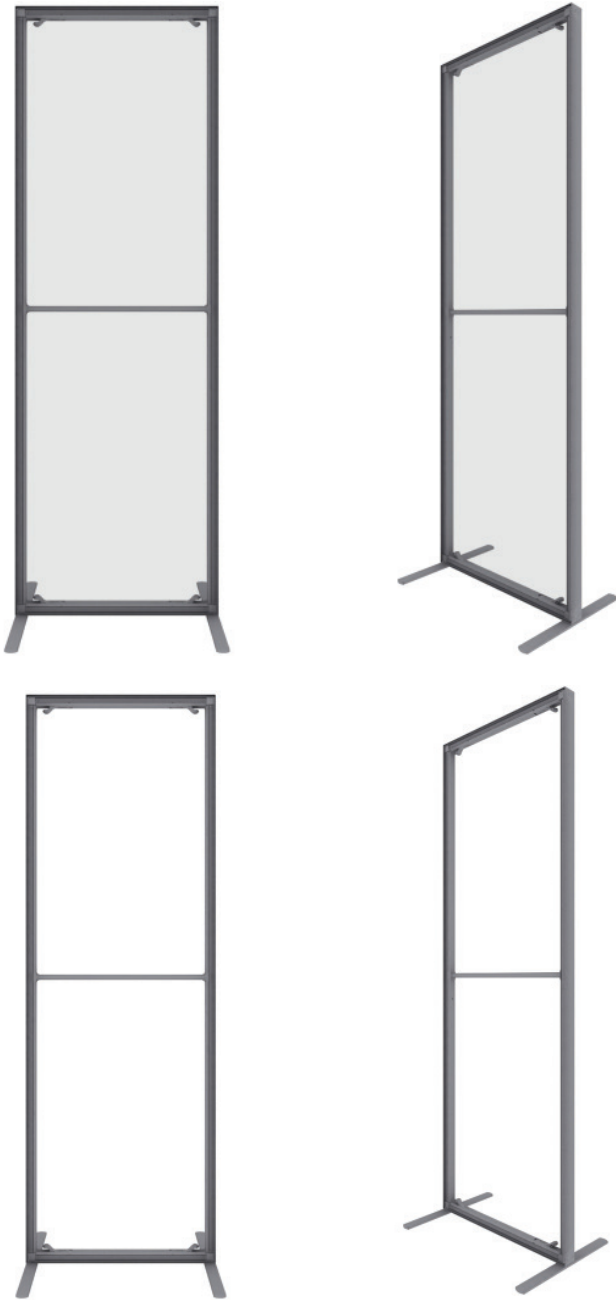
VERTICAL PROFILE CONNECTION



TOOL FREE CORNER LOCKS

QSEG 1.6 X 4.9FT - CLEAR TPU GRAPHIC

QSEG MODULAR SEG DISPLAY
 PRODUCT CODE: QSEG50x150-CW-G



TRAVEL BAG CLOSED



TRAVEL BAG OPEN

PRODUCT DESCRIPTION

Use Qseg for social distancing solutions for work environments as office partitions and cubicles. Help keep safe physical distance between employees and customers with today's health and safety regulations. By strategically placing our lightweight and portable walls. Padded travel bags are included to keep your frames and graphics protected during transport and storage. With many wall sizes and connector accessories. Effortlessly creating numerous configurations that meet your needs. Connector options are either 2 way (90°) or 4 way (180°). Other graphic options are full custom printed dye sublimated graphics or TPU plastic for hygienic sneeze guards and partitions.

| | |
|--------------------|--------------------------|
| DISPLAY DIMENSIONS | 19.75"W x 59"H x 10.25"D |
| GRAPHIC SIZE | 22"W x 61.5"H |

GRAPHIC MATERIAL

Clear TPU Material

GRAPHIC FINISHING

Silicone beading sewn onto edge of graphic

DISPLAY CONSTRUCTION

Aluminum extrusion frame with plastic components

SHIPPING WEIGHTS & DIMENSIONS

| | |
|---------------------|---|
| Shipping Weight | 11 lbs (frame only) 13 lbs (frame & graphic) |
| Shipping Dimensions | 60.25"W x 7"H x 3.5" D |

GRAPHIC TURN AROUND TIME

2 business days after proof approval (up to 6 sets)

| | |
|--------------|-----|
| AVAILABILITY | PFC |
|--------------|-----|



SILICONE EDGE GRAPHIC INSTALLATION



SINGLE FOOT CONNECTION



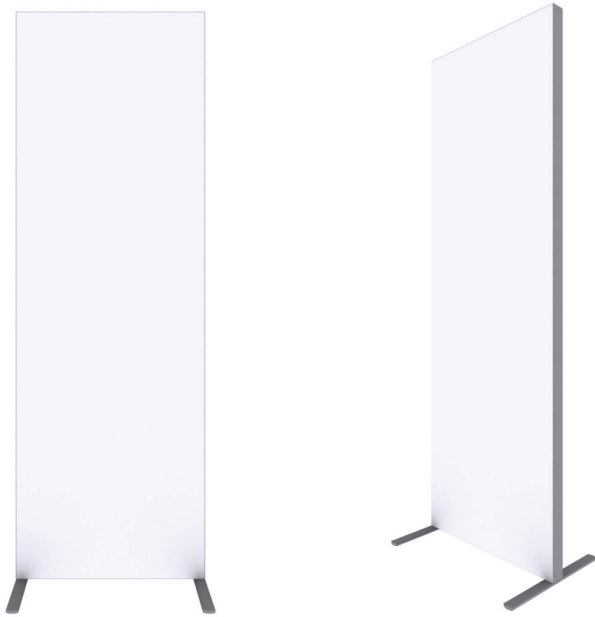
VERTICAL PROFILE CONNECTION



TOOL FREE CORNER LOCKS

QSEG 1.6 X 4.9FT - BLANK GRAPHIC

QSEG MODULAR SEG DISPLAY
 PRODUCT CODE: QSEG50x150-U-G



TRAVEL BAG CLOSED



TRAVEL BAG OPEN

PRODUCT DESCRIPTION

Use Qseg for social distancing solutions for work environments as office partitions and cubicles. Help keep safe physical distance between employees and customers with today's health and safety regulations. By strategically placing our lightweight and portable walls. Padded travel bags are included to keep your frames and graphics protected during transport and storage. With many wall sizes and connector accessories. Effortlessly creating numerous configurations that meet your needs. Connector options are either 2 way (90°) or 4 way (180°). Other graphic options are full custom printed dye sublimated graphics or TPU plastic for hygienic sneeze guards and partitions.

| | |
|--------------------|--------------------------|
| DISPLAY DIMENSIONS | 19.75"W x 59"H x 10.25"D |
| GRAPHIC SIZE | 22"W x 61.5"H |

GRAPHIC MATERIAL

Unprinted Stretch Fabric

GRAPHIC FINISHING

Silicone beading sewn onto edge of graphic

DISPLAY CONSTRUCTION

Aluminum extrusion frame with plastic components

SHIPPING WEIGHTS & DIMENSIONS

| | |
|---------------------|---|
| Shipping Weight | 11 lbs (frame only) 13 lbs (frame & graphic) |
| Shipping Dimensions | 60.25"W x 7"H x 3.5" D |

GRAPHIC TURN AROUND TIME

2 business days after proof approval (up to 6 sets)

| | |
|--------------|-----|
| AVAILABILITY | PFC |
|--------------|-----|



SILICONE EDGE GRAPHIC INSTALLATION



SINGLE FOOT CONNECTION



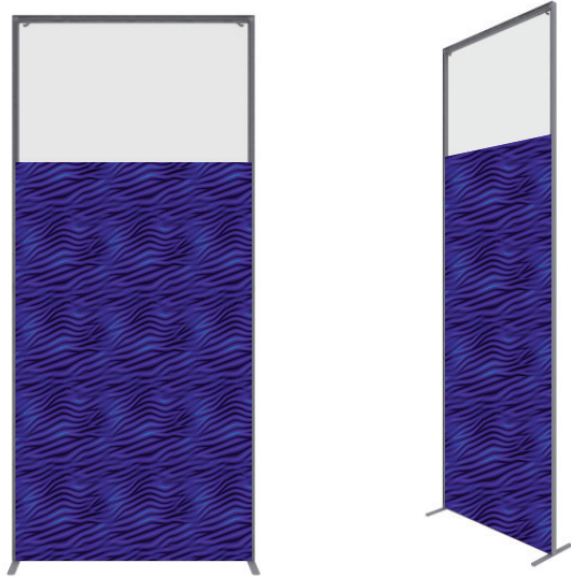
VERTICAL PROFILE CONNECTION



TOOL FREE CORNER LOCKS

QSEG 1.6 X 4.9FT - FULL GRAPHIC + TPU

QSEG MODULAR SEG DISPLAY
 PRODUCT CODE: QSEG50x150-HPCW-G



TRAVEL BAG CLOSED



TRAVEL BAG OPEN

PRODUCT DESCRIPTION

Use Qseg for social distancing solutions for work environments as office partitions and cubicles. Help keep safe physical distance between employees and customers with today's health and safety regulations. By strategically placing our lightweight and portable walls. Padded travel bags are included to keep your frames and graphics protected during transport and storage. With many wall sizes and connector accessories. Effortlessly creating numerous configurations that meet your needs. Connector options are either 2 way (90°) or 4 way (180°). Other graphic options are full custom printed dye sublimated graphics or TPU plastic for hygienic sneeze guards and partitions.

| | |
|--------------------|--------------------------|
| DISPLAY DIMENSIONS | 19.75"W x 59"H x 10.25"D |
| GRAPHIC SIZE | 22"W x 61.5"H |

GRAPHIC MATERIAL

Dyesub Stretch Fabric + Clear TPU Material

GRAPHIC FINISHING

Silicone beading sewn onto edge of graphic

DISPLAY CONSTRUCTION

Aluminum extrusion frame with plastic components

SHIPPING WEIGHTS & DIMENSIONS

| | |
|---------------------|---|
| Shipping Weight | 11 lbs (frame only) 13 lbs (frame & graphic) |
| Shipping Dimensions | 60.25"W x 7"H x 3.5" D |

GRAPHIC TURN AROUND TIME

2 business days after proof approval (up to 6 sets)

| | |
|--------------|-----|
| AVAILABILITY | PFC |
|--------------|-----|



SILICONE EDGE GRAPHIC INSTALLATION



SINGLE FOOT CONNECTION



VERTICAL PROFILE CONNECTION



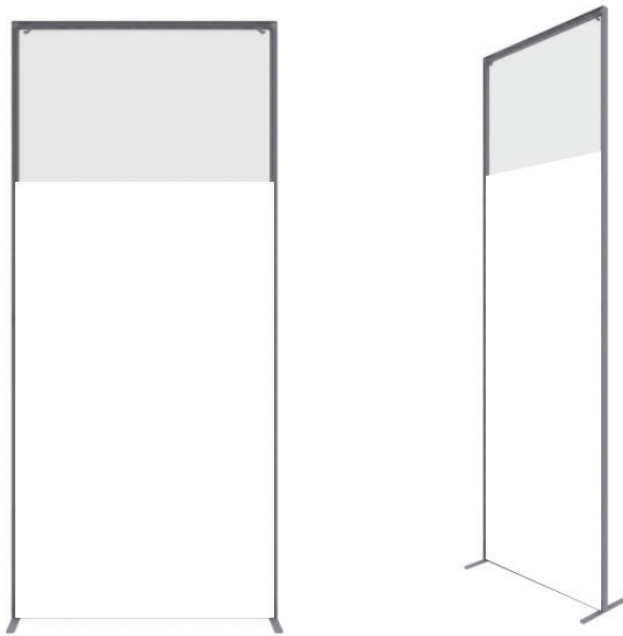
TOOL FREE CORNER LOCKS

QSEG 1.6 X 4.9FT - BLANK GRAPHIC + TPU

QSEG MODULAR SEG DISPLAY
 PRODUCT CODE: QSEG50x150-HUCW-G



On frame On graphic



TRAVEL BAG CLOSED



TRAVEL BAG OPEN

PRODUCT DESCRIPTION

Use Qseg for social distancing solutions for work environments as office partitions and cubicles. Help keep safe physical distance between employees and customers with today's health and safety regulations. By strategically placing our lightweight and portable walls. Padded travel bags are included to keep your frames and graphics protected during transport and storage. With many wall sizes and connector accessories. Effortlessly creating numerous configurations that meet your needs. Connector options are either 2 way (90°) or 4 way (180°). Other graphic options are full custom printed dye sublimated graphics or TPU plastic for hygienic sneeze guards and partitions.

| | |
|--------------------|--------------------------|
| DISPLAY DIMENSIONS | 19.75"W x 59"H x 10.25"D |
| GRAPHIC SIZE | 22"W x 61.5"H |

GRAPHIC MATERIAL

Unprinted Stretch Fabric + Clear TPU Material

GRAPHIC FINISHING

Silicone beading sewn onto edge of graphic

DISPLAY CONSTRUCTION

Aluminum extrusion frame with plastic components

SHIPPING WEIGHTS & DIMENSIONS

| | |
|---------------------|---|
| Shipping Weight | 11 lbs (frame only) 13 lbs (frame & graphic) |
| Shipping Dimensions | 60.25"W x 7"H x 3.5" D |

GRAPHIC TURN AROUND TIME

2 business days after proof approval (up to 6 sets)

| | |
|--------------|-----|
| AVAILABILITY | PFC |
|--------------|-----|



SILICONE EDGE GRAPHIC INSTALLATION



SINGLE FOOT CONNECTION



VERTICAL PROFILE CONNECTION



TOOL FREE CORNER LOCKS

QSEG 1.6 X 4.9FT

QSEG MODULAR SEG DISPLAY
PRODUCT CODE: SEGO-50x150-G

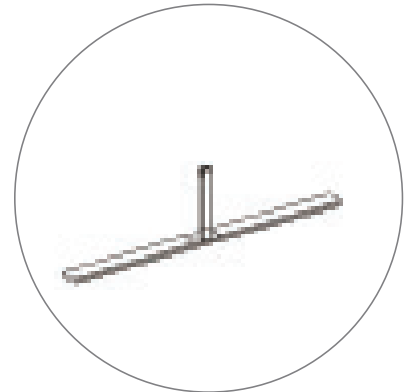
PARTS LIST



(qty 2)
Horizontal Profile



(qty 2)
Vertical Profile



(qty 2)
Foot (Full)

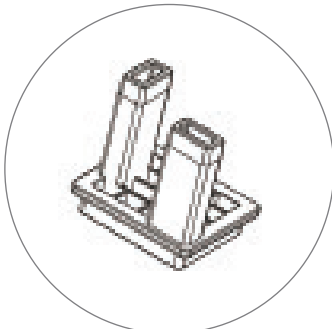


(qty 1)
Travel Bag

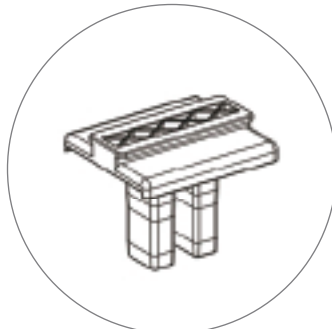
QSEG 1.6 X 4.9FT

QSEG MODULAR SEG DISPLAY
PRODUCT CODE: SEGO-50x150-G

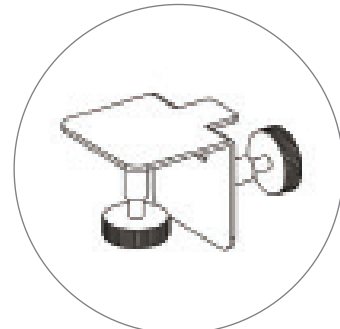
AVAILABLE ACCESSORIES



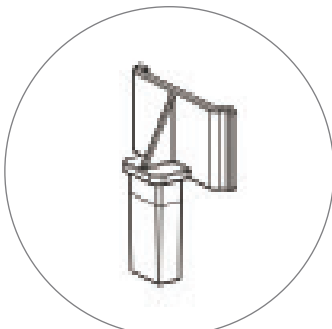
QSEG-LCON
Qseg L connector (pair)



QSEG-SCON
QSEG Straight Connector



QSEG-BC
QSEG Bridge Connector



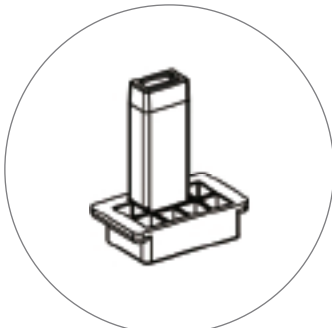
QSEG-LHCON
QSEG Low-High Connector



QSEG-TCON
QSEG T Connector



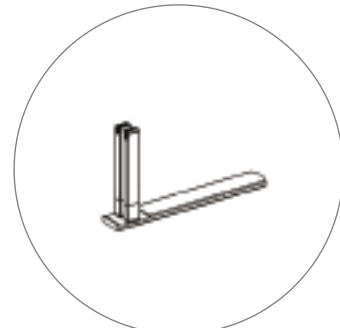
QSEG-CC
QSEG Cross Connector



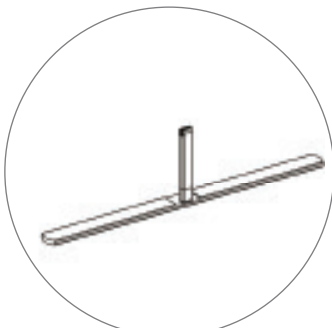
QSEG-FP
QSEG Foot Pad



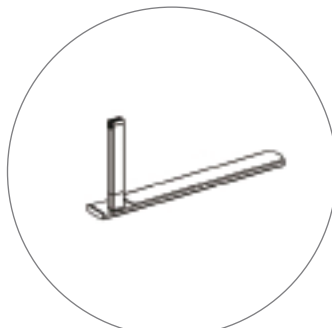
QSEG-TPF
QSEG Twin Pole Foot (Full)



QSEG-TPFH
QSEG Twin Pole Foot (Half)



QSEG-FF
QSEG Foot (Full)

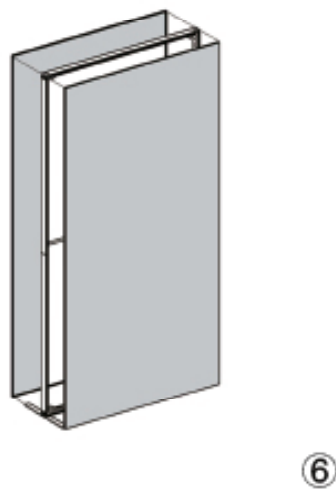
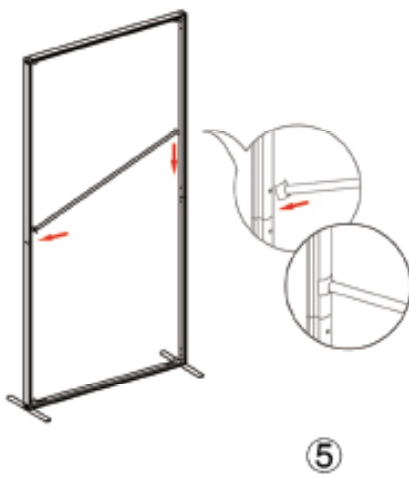
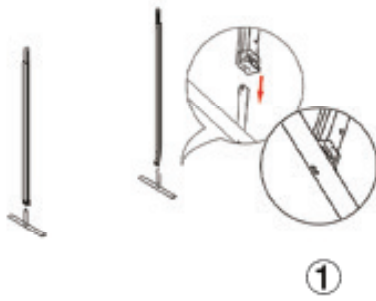


QSEG-FH
QSEG Foot (Half)



LACAJA
La Caja Hardcase

SET UP INSTRUCTIONS



QSEG 1.6 X 4.9FT

QSEG MODULAR SEG DISPLAY
PRODUCT CODE: SEGO-50x150-G

TEMPLATE

PLEASE DELETE ALL TEMPLATE ELEMENTS BEFORE UPLOADING

QSEG 1.6 x 4.9ft

GRAPHIC DIMENSIONS: 22"W x 61.5" H
YELLOW SAFE AREA: 14"W x 53.5" H

UPLOAD AT 100% SCALE
DOCUMENT SIZE 22" x 61.5"
USE SAME TEMPLATE FOR FRONT AND BACK

*KEEP ALL IMPORTANT GRAPHICS
SUCH AS: LOGOS, TEXT, CONTACT INFO, ETC.
IN THE YELLOW SAFE ZONE*

*ARTWORK IN THE BLUE AREA WILL PRINT BUT IS IN RISK
OF BEING CLOSE TO THE EDGE OR TRIMMED OFF*

Graphic Specifications:

- Create to template specs
- 125 DPI resolution
- CMYK color
- No template lines
- Embed/link all images
- Create to outline all fonts

Acceptable file formats:

- Photoshop (.psd, .psb)
- Illustrator (.ai, .eps)
- **Flattened .tiff**
- Press quality .pdf