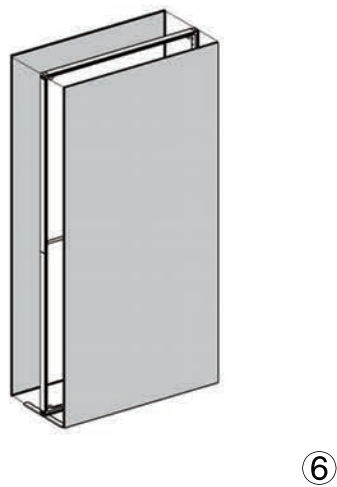
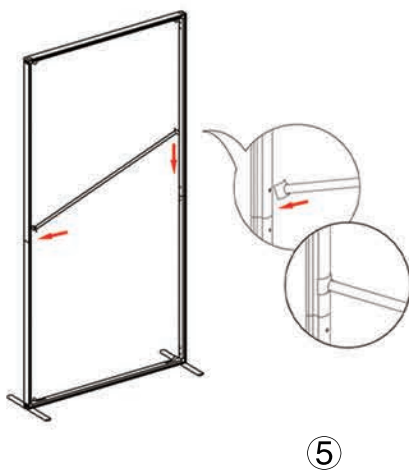
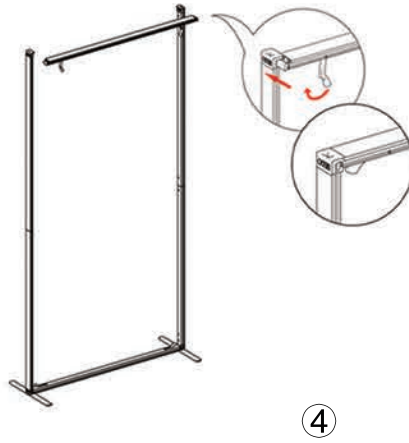
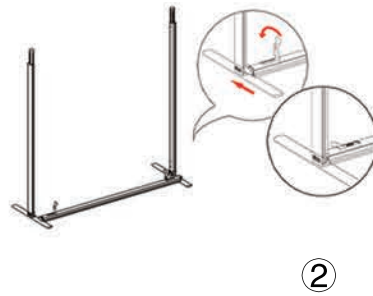
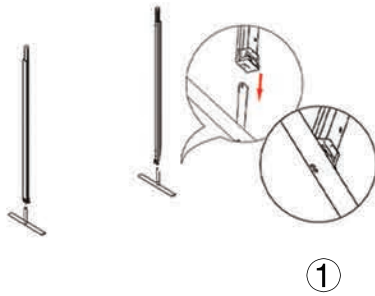
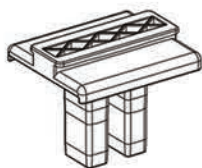
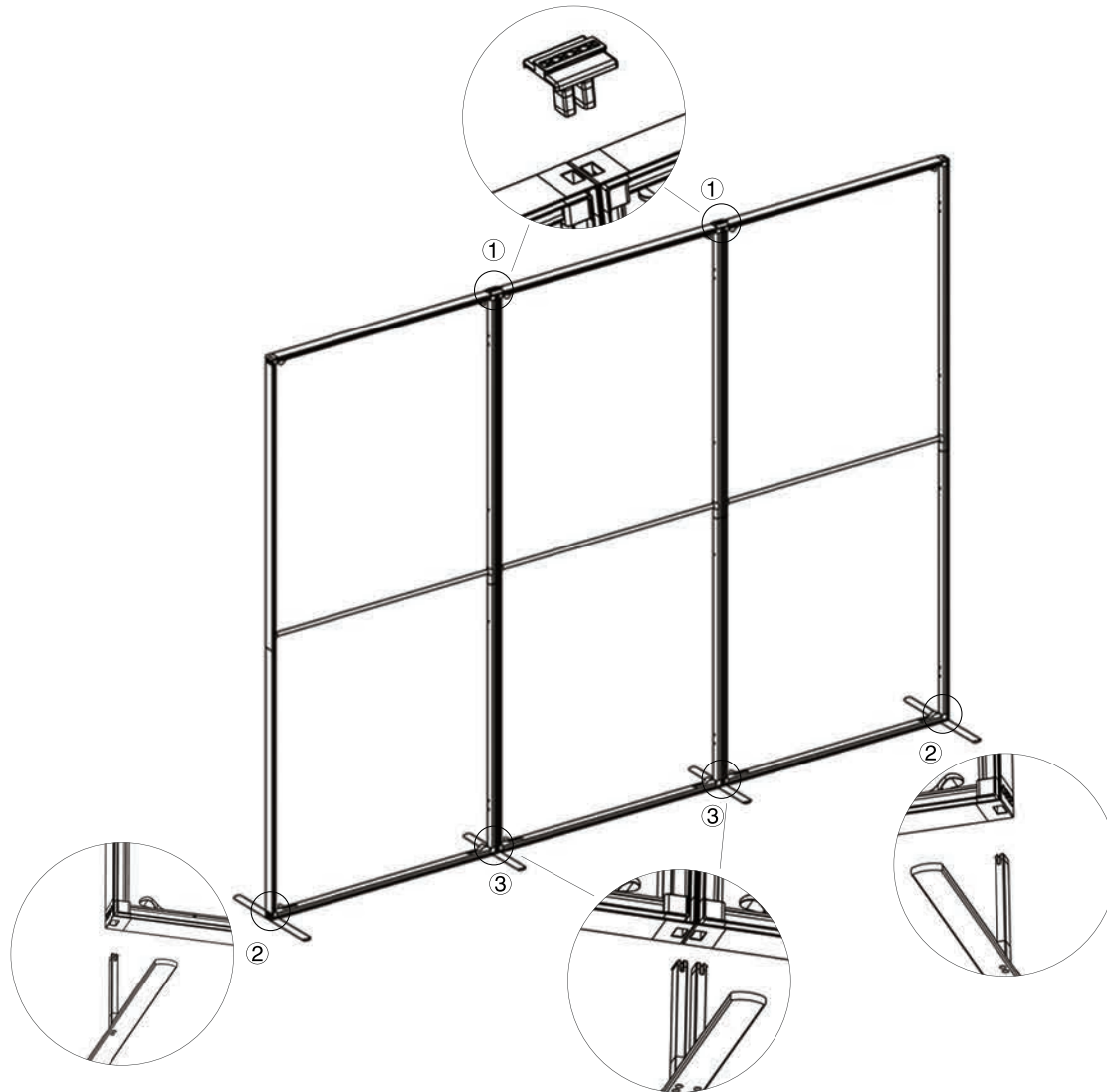


## SET UP INSTRUCTIONS SINGLE FRAME ASSEMBLY



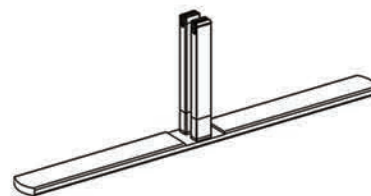
## SET UP INSTRUCTIONS 3 FRAME CONNECTION (QSEG 9.8 X 7.4FT)



① Straight Connector



② Foot



③ Twin Pole Foot

# QSEG TRADESHOW B

QSEG MODULAR SEG DISPLAY  
PRODUCT CODE: QSEG-TRADESHOW-B



On frame



On graphic



## SET UP INSTRUCTIONS TRADESHOW BOOTH ASSEMBLY

