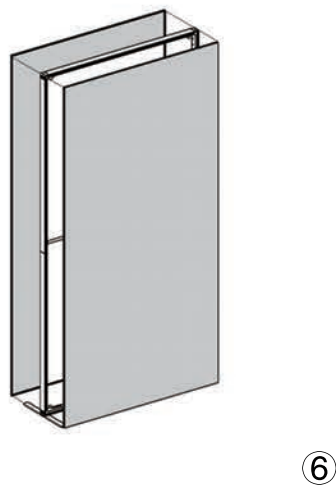
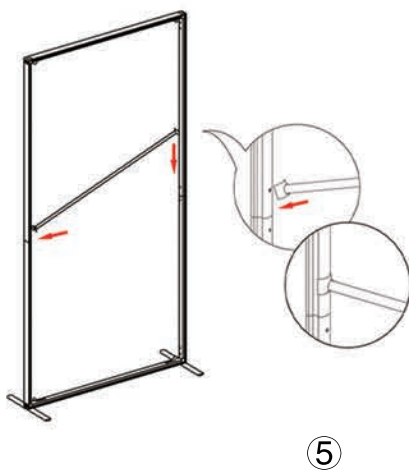
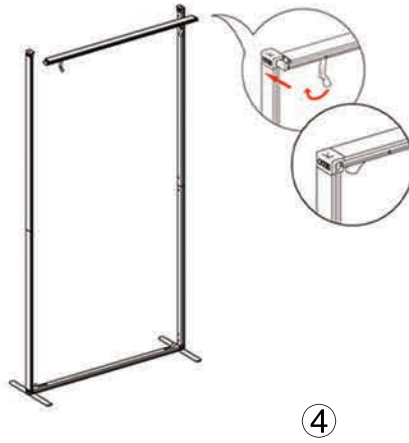
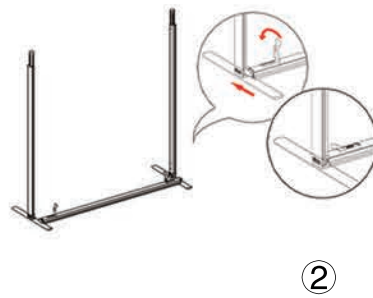
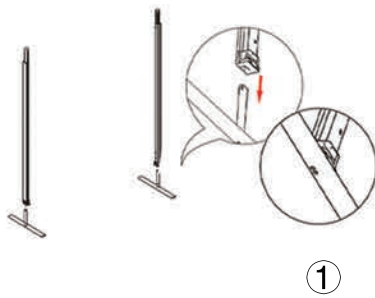
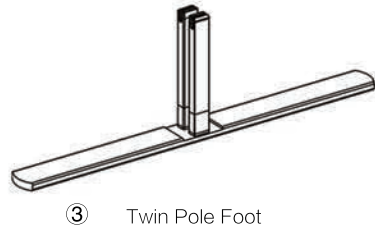
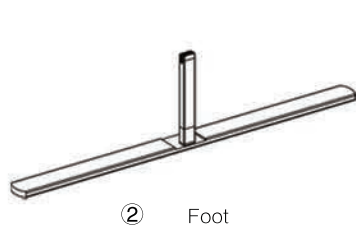
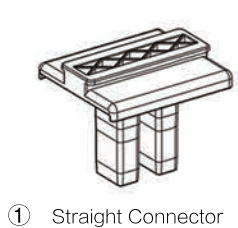
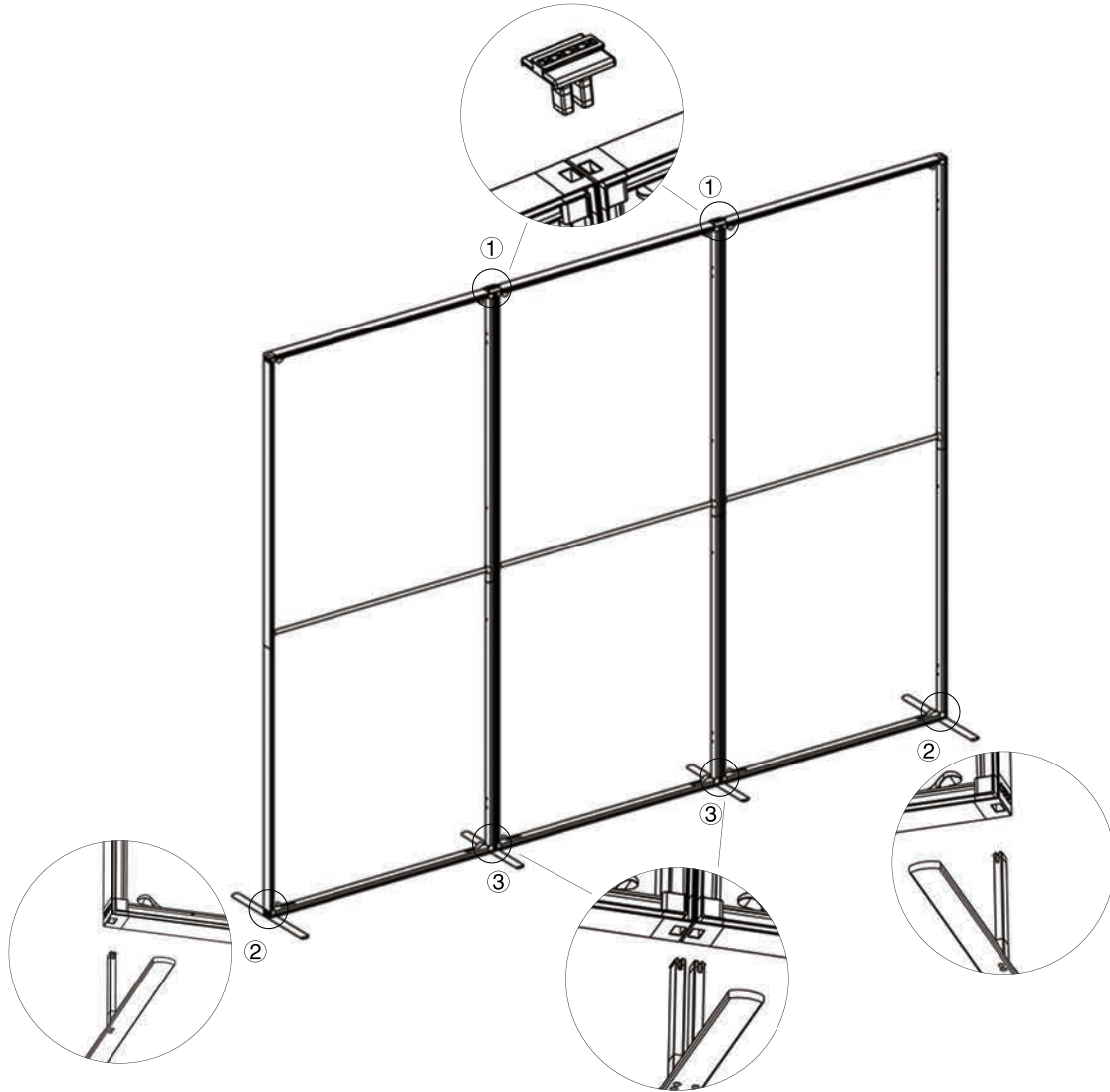


## SET UP INSTRUCTIONS SINGLE FRAME ASSEMBLY



## SET UP INSTRUCTIONS 3 FRAME CONNECTION (QSEG 9.8 X 7.4FT)



# QSEG TRADESHOW C

QSEG MODULAR SEG DISPLAY  
PRODUCT CODE: QSEG-TRADESHOW-C



On frame



On graphic



## SET UP INSTRUCTIONS TRADESHOW BOOTH ASSEMBLY

