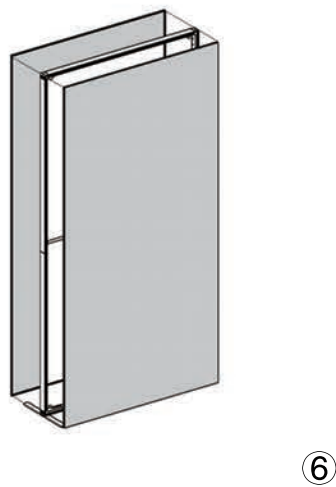
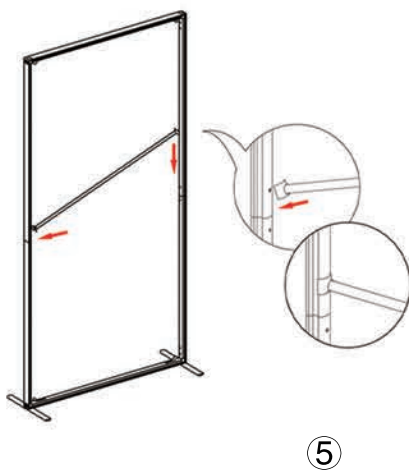
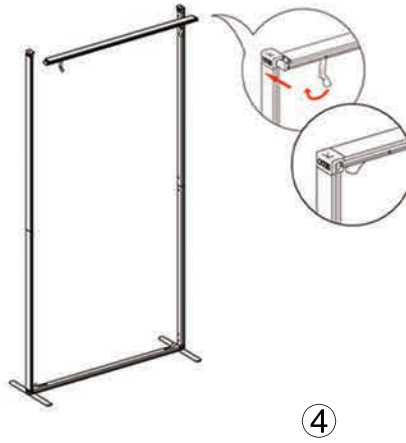
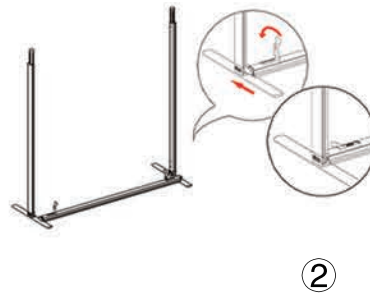
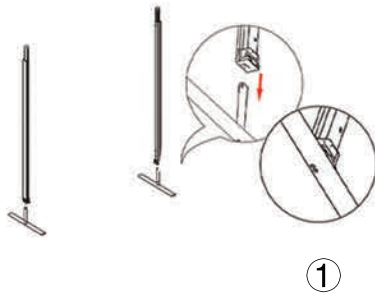
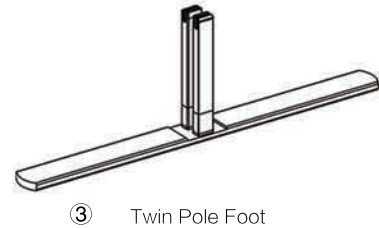
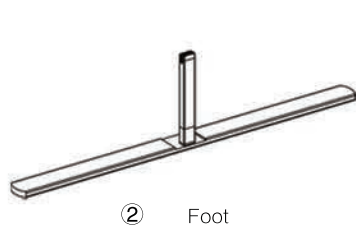
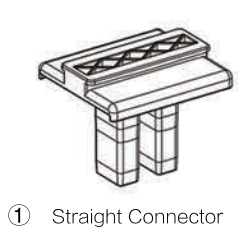
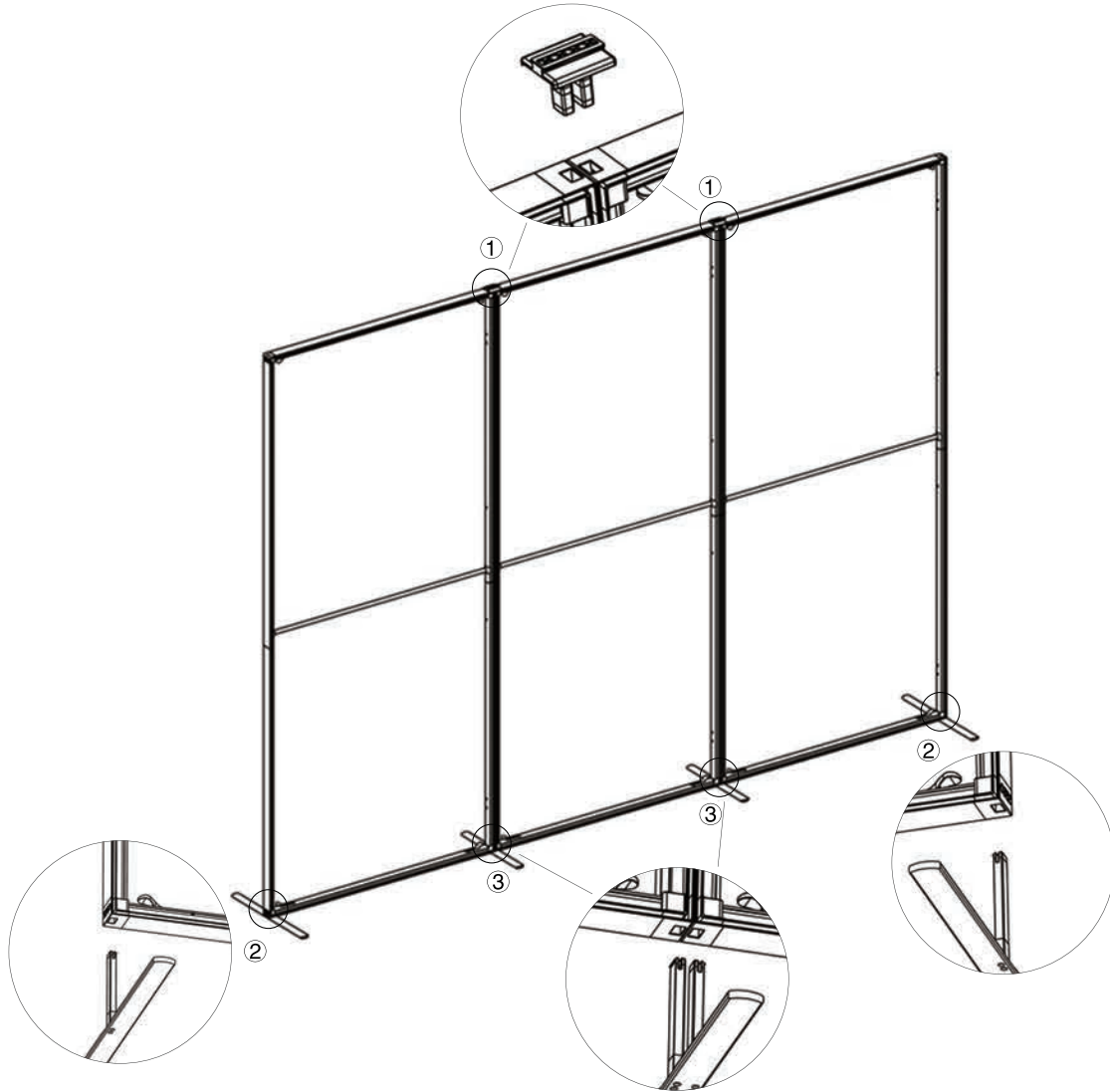


SET UP INSTRUCTIONS SINGLE FRAME ASSEMBLY



SET UP INSTRUCTIONS 3 FRAME CONNECTION (QSEG 9.8 X 7.4FT)



QSEG TRADESHOW G

QSEG MODULAR SEG DISPLAY
PRODUCT CODE: QSEG-TRADESHOW-G



On frame



On graphic



SET UP INSTRUCTIONS TRADESHOW BOOTH ASSEMBLY

