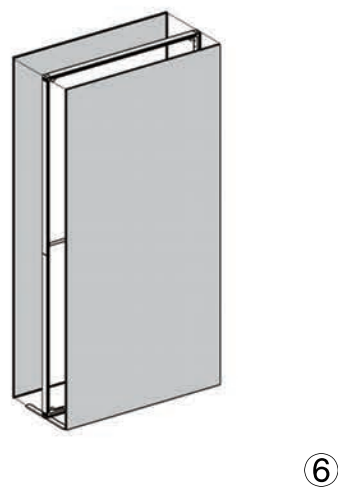
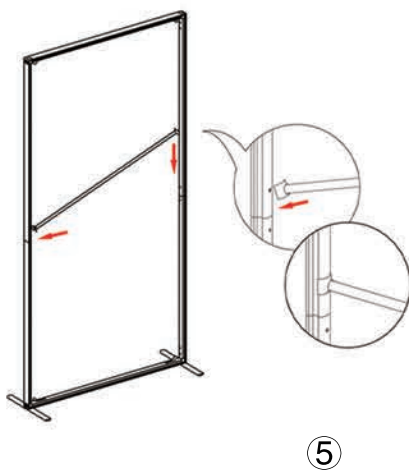
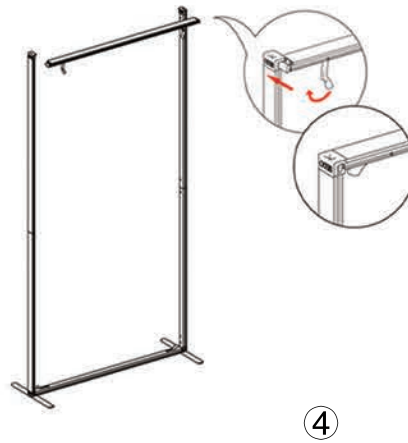
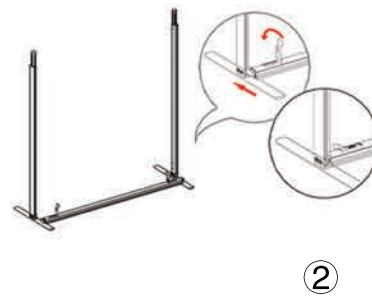
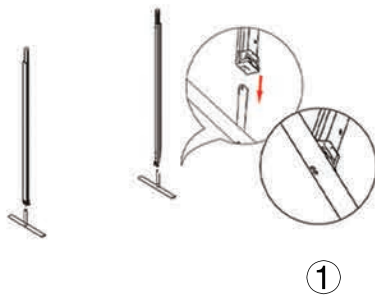
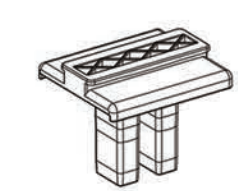
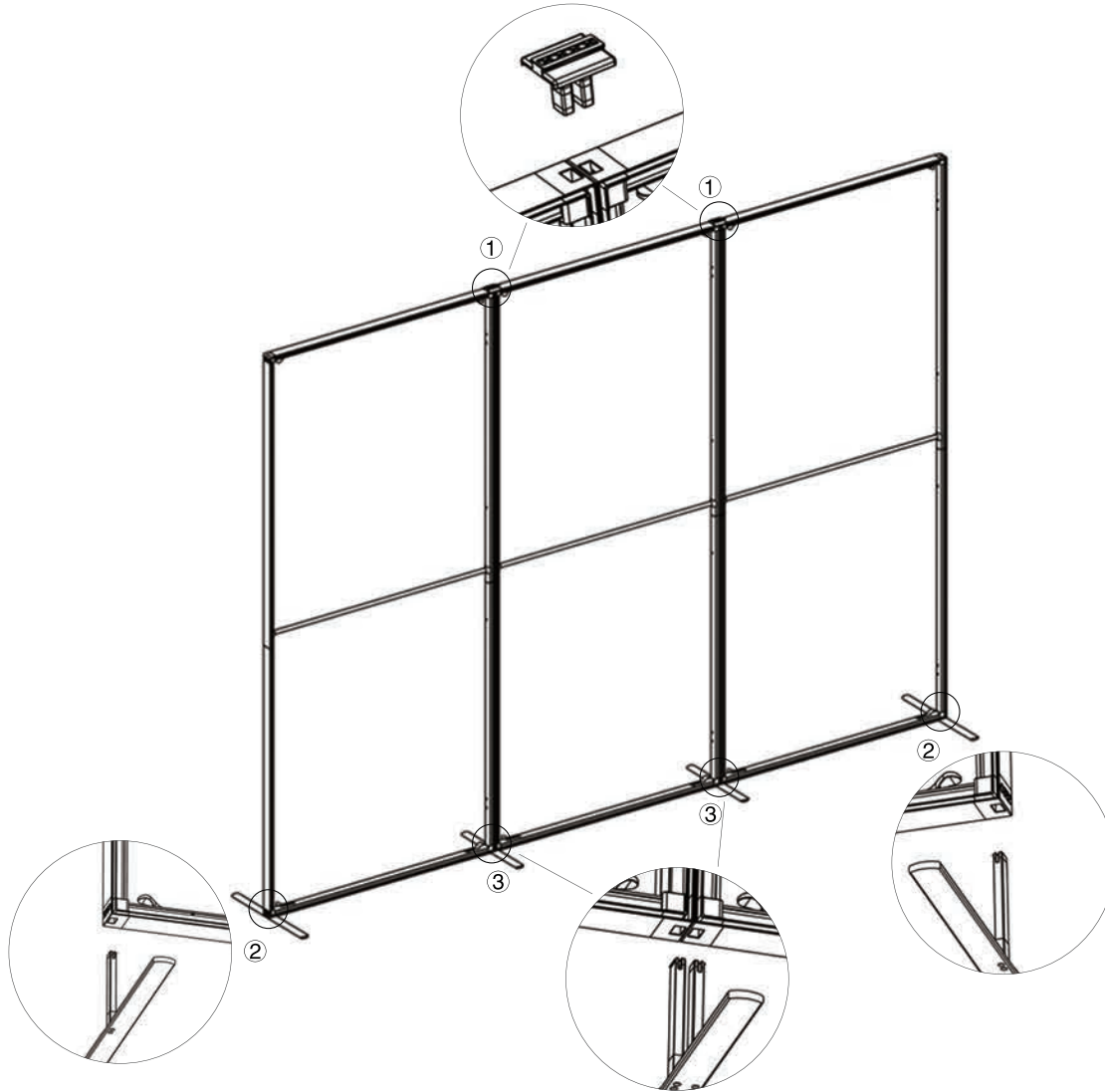


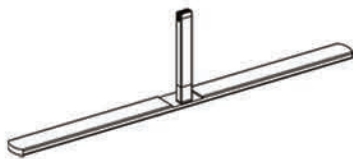
SET UP INSTRUCTIONS SINGLE FRAME ASSEMBLY



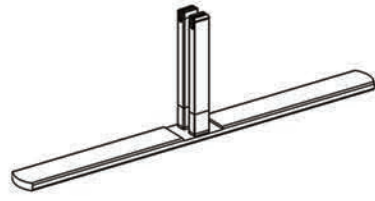
SET UP INSTRUCTIONS 3 FRAME CONNECTION (QSEG 9.8 X 7.4FT)



① Straight Connector



② Foot



③ Twin Pole Foot

QSEG TRADESHOW H

QSEG MODULAR SEG DISPLAY
PRODUCT CODE: QSEG-TRADESHOW-H



On frame



On graphic



SET UP INSTRUCTIONS TRADESHOW BOOTH ASSEMBLY

