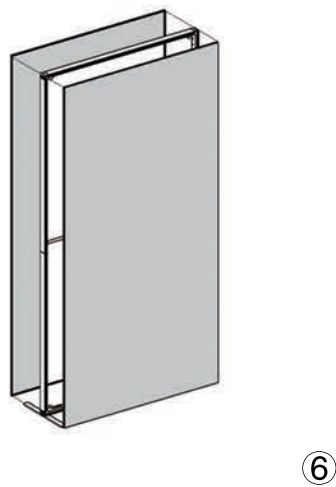
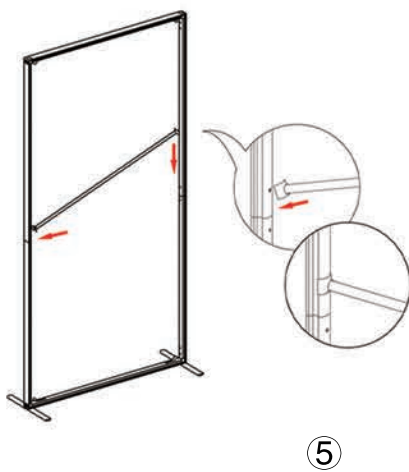
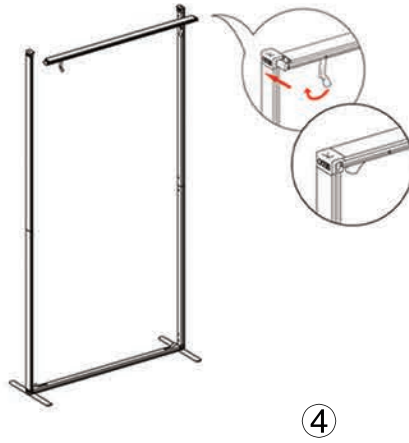
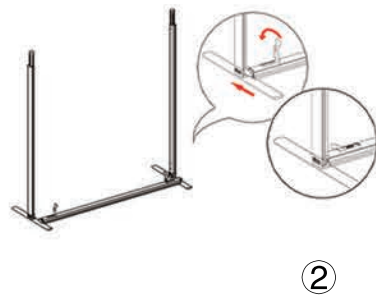
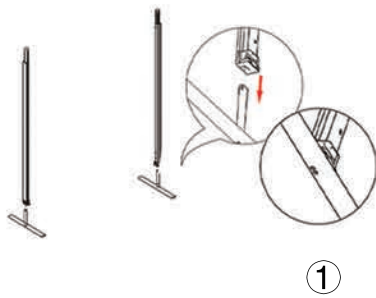
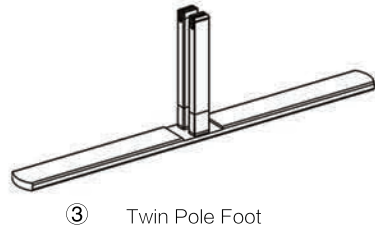
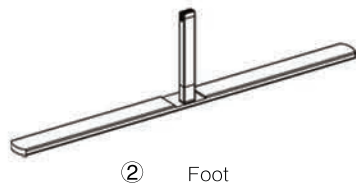
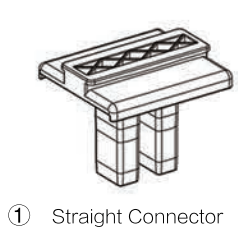
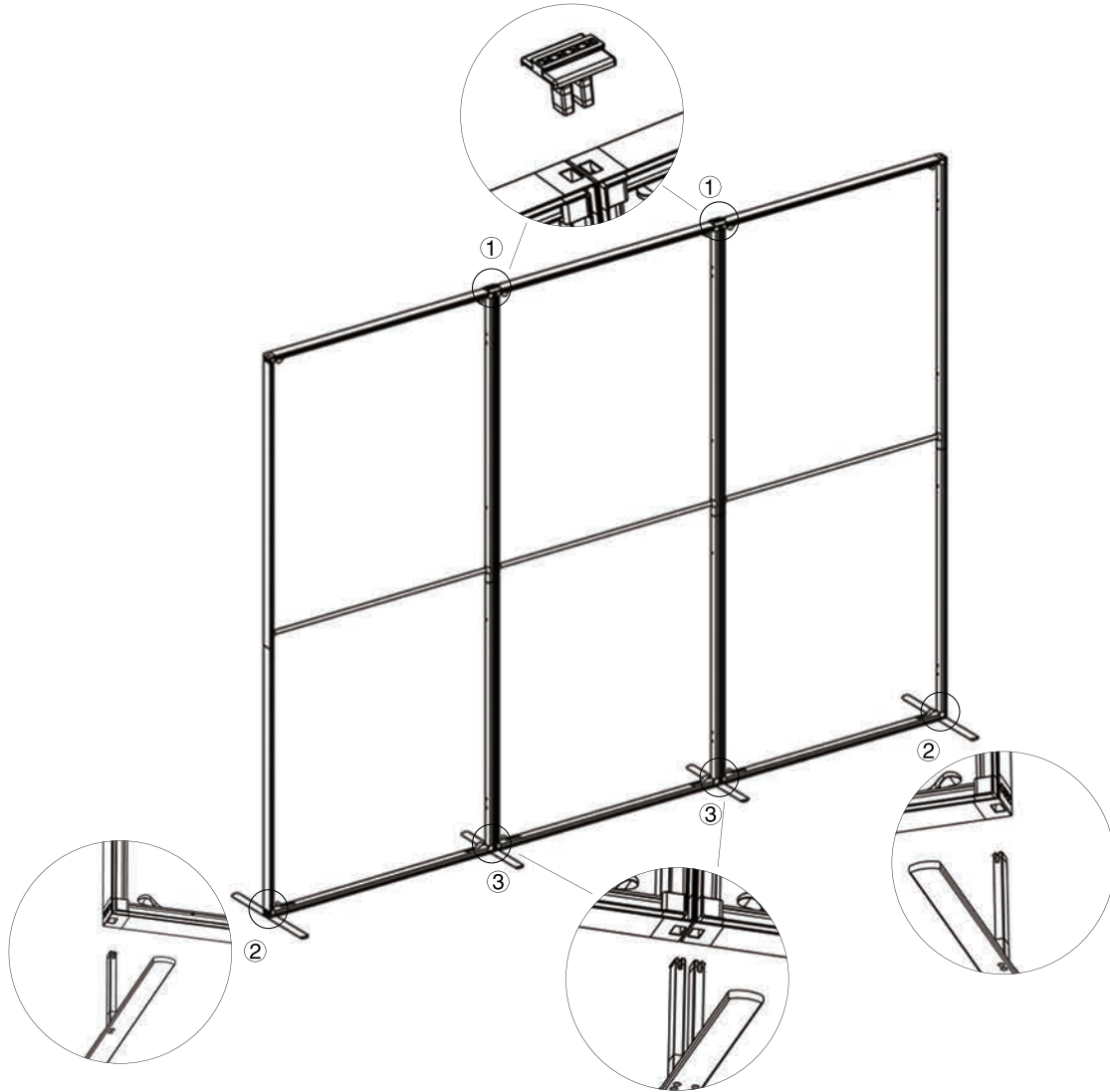


## SET UP INSTRUCTIONS SINGLE FRAME ASSEMBLY



## SET UP INSTRUCTIONS 3 FRAME CONNECTION (QSEG 9.8 X 7.4FT)



# QSEG TRADESHOW J

QSEG MODULAR SEG DISPLAY  
PRODUCT CODE: QSEG-TRADESHOW-J



On frame



On graphic



## SET UP INSTRUCTIONS TRADESHOW BOOTH ASSEMBLY

