

# QSEG QUEUE S-SHAPE 2 ROW

QSEG MODULAR SEG DISPLAY  
 PRODUCT CODE: QSEGSQUEUE-2R-FCPG



On frame On graphic



## PRODUCT DESCRIPTION

Use Qseg for social distancing solutions for work environments as office partitions and cubicles. Help keep safe physical distance between employees and customers with today's health and safety regulations. By strategically placing our lightweight and portable walls. Padded travel bags are included to keep your frames and graphics protected during transport and storage. With many wall sizes and connector accessories. Effortlessly creating numerous configurations that meet your needs. Connector options are either 2 way (90°) or 4 way (180°). Other graphic options are full custom printed dye sublimated graphics or TPU plastic for hygienic sneeze guards and partitions.

DISPLAY DIMENSIONS	157.5" W x 88.5" H x 157.5" D
GRAPHIC SIZE	41.5" x 91"

## GRAPHIC MATERIAL

Dye Sub Stretch Fabric

## GRAPHIC FINISHING

Silicone beading sewn onto edge of graphic

## DISPLAY CONSTRUCTION

Aluminum extrusion frame with plastic components

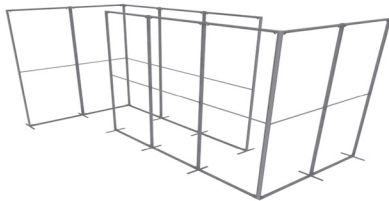
## SHIPPING WEIGHTS & DIMENSIONS

Shipping Weight	16 lbs (SEGO-100x225) (1 box) 40 lbs (SEGO-300x225) (3 boxes)
Shipping Dimensions	47.25"W x 4"H x 10.25"D (1 box) 47.25"W x 10.25"H x 10.25"D (3 boxes)

## GRAPHIC TURN AROUND TIME

2 business days after proof approval (up to 2 sets)

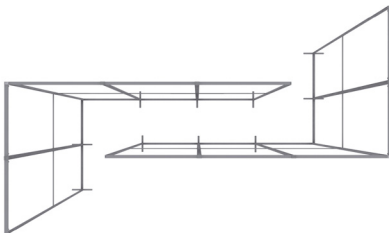
AVAILABILITY	PFC
--------------	-----



DUAL FOOT CONNECTION



T CONNECTION



90° CORNER CONNECTION



STRAIGHT CONNECTION

# QSEG QUEUE S-SHAPE 2 ROW BLANK

QSEG MODULAR SEG DISPLAY  
 PRODUCT CODE: QSEGSQUEUE-2R-UG



On frame On graphic



## PRODUCT DESCRIPTION

Use Qseg for social distancing solutions for work environments as office partitions and cubicles. Help keep safe physical distance between employees and customers with today's health and safety regulations. By strategically placing our lightweight and portable walls. Padded travel bags are included to keep your frames and graphics protected during transport and storage. With many wall sizes and connector accessories. Effortlessly creating numerous configurations that meet your needs. Connector options are either 2 way (90°) or 4 way (180°). Other graphic options are full custom printed dye sublimated graphics or TPU plastic for hygienic sneeze guards and partitions.

DISPLAY DIMENSIONS 157.5" W x 88.5" H x 157.5" D

GRAPHIC SIZE 41.5" x 91"

## GRAPHIC MATERIAL

Unprinted Stretch Fabric

## GRAPHIC FINISHING

Silicone beading sewn onto edge of graphic

## DISPLAY CONSTRUCTION

Aluminum extrusion frame with plastic components

## SHIPPING WEIGHTS & DIMENSIONS

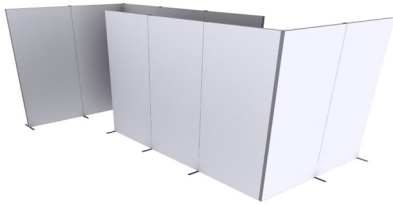
Shipping Weight 16 lbs (SEGO-100x225) (1 box)  
 40 lbs (SEGO-300x225) (3 boxes)

Shipping Dimensions 47.25"W x 4"H x 10.25"D (1 box)  
 47.25"W x 10.25"H x 10.25"D (3 boxes)

## GRAPHIC TURN AROUND TIME

2 business days after proof approval (up to 2 sets)

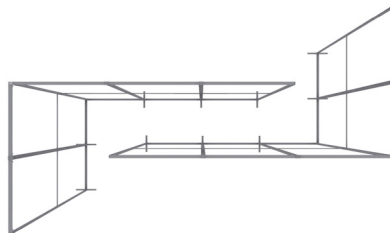
AVAILABILITY PFC



DUAL FOOT CONNECTION



T CONNECTION



90° CORNER CONNECTION



STRAIGHT CONNECTION

# QSEG QUEUE S-SHAPE 2 ROW TPU

QSEG MODULAR SEG DISPLAY  
 PRODUCT CODE: QSEGSQUEUE-2R-CWG



On frame On graphic



## PRODUCT DESCRIPTION

Use Qseg for social distancing solutions for work environments as office partitions and cubicles. Help keep safe physical distance between employees and customers with today's health and safety regulations. By strategically placing our lightweight and portable walls. Padded travel bags are included to keep your frames and graphics protected during transport and storage. With many wall sizes and connector accessories. Effortlessly creating numerous configurations that meet your needs. Connector options are either 2 way (90°) or 4 way (180°). Other graphic options are full custom printed dye sublimated graphics or TPU plastic for hygienic sneeze guards and partitions.

DISPLAY DIMENSIONS	157.5" W x 88.5" H x 157.5" D
GRAPHIC SIZE	41.5" x 91"

## GRAPHIC MATERIAL

Clear TPU Plastic

## GRAPHIC FINISHING

Silicone beading sewn onto edge of graphic

## DISPLAY CONSTRUCTION

Aluminum extrusion frame with plastic components

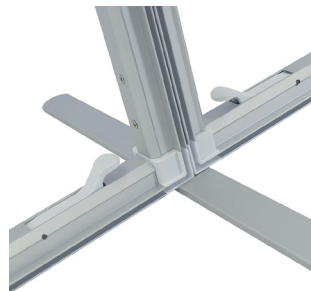
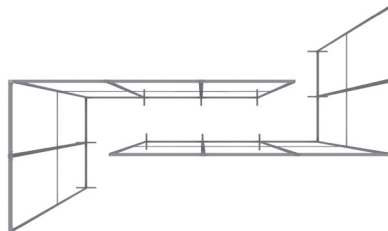
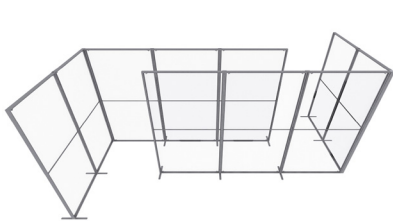
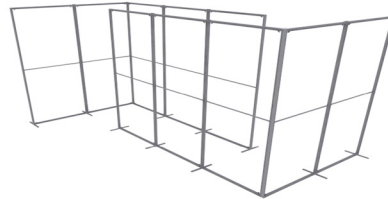
## SHIPPING WEIGHTS & DIMENSIONS

Shipping Weight	16 lbs (SEGO-100x225) (1 box) 40 lbs (SEGO-300x225) (3 boxes)
Shipping Dimensions	47.25"W x 4"H x 10.25"D (1 box) 47.25"W x 10.25"H x 10.25"D (3 boxes)

## GRAPHIC TURN AROUND TIME

2 business days after proof approval (up to 2 sets)

AVAILABILITY	PFC
--------------	-----



DUAL FOOT CONNECTION



T CONNECTION



90° CORNER CONNECTION



STRAIGHT CONNECTION

# QSEG QUEUE S-SHAPE 2 ROW TPU + BLANK

QSEG MODULAR SEG DISPLAY  
 PRODUCT CODE: QSEGSQUEUE-2R-HUCWG



On frame On graphic



## PRODUCT DESCRIPTION

Use Qseg for social distancing solutions for work environments as office partitions and cubicles. Help keep safe physical distance between employees and customers with today's health and safety regulations. By strategically placing our lightweight and portable walls. Padded travel bags are included to keep your frames and graphics protected during transport and storage. With many wall sizes and connector accessories. Effortlessly creating numerous configurations that meet your needs. Connector options are either 2 way (90°) or 4 way (180°). Other graphic options are full custom printed dye sublimated graphics or TPU plastic for hygienic sneeze guards and partitions.

DISPLAY DIMENSIONS	157.5" W x 88.5" H x 157.5" D
GRAPHIC SIZE	41.5" x 91"

## GRAPHIC MATERIAL

Clear TPU Plastic and Unprinted Stretch Fabric

## GRAPHIC FINISHING

Silicone beading sewn onto edge of graphic

## DISPLAY CONSTRUCTION

Aluminum extrusion frame with plastic components

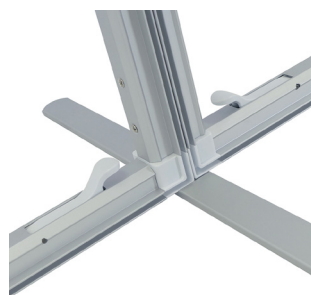
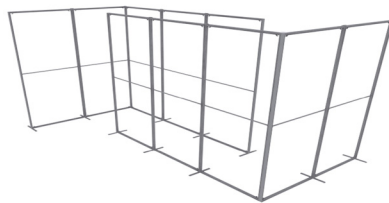
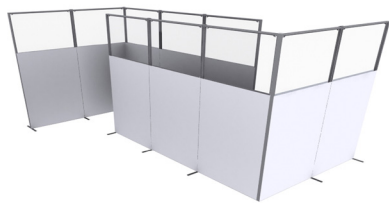
## SHIPPING WEIGHTS & DIMENSIONS

Shipping Weight	16 lbs (SEGO-100x225) (1 box)
	40 lbs (SEGO-300x225) (3 boxes)
Shipping Dimensions	47.25"W x 4"H x 10.25"D (1 box)
	47.25"W x 10.25"H x 10.25"D (3 boxes)

## GRAPHIC TURN AROUND TIME

2 business days after proof approval (up to 2 sets)

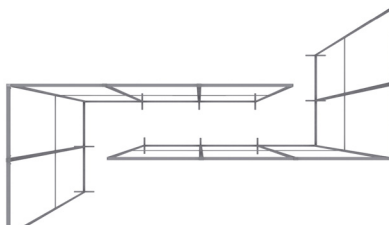
AVAILABILITY	PFC
--------------	-----



DUAL FOOT CONNECTION



T CONNECTION



90° CORNER CONNECTION



STRAIGHT CONNECTION

# QSEG QUEUE S-SHAPE 2 ROW TPU + PRINT

QSEG MODULAR SEG DISPLAY  
 PRODUCT CODE: QSEGSQUEUE-2R-HPCWG



On frame On graphic



## PRODUCT DESCRIPTION

Use Qseg for social distancing solutions for work environments as office partitions and cubicles. Help keep safe physical distance between employees and customers with today's health and safety regulations. By strategically placing our lightweight and portable walls. Padded travel bags are included to keep your frames and graphics protected during transport and storage. With many wall sizes and connector accessories. Effortlessly creating numerous configurations that meet your needs. Connector options are either 2 way (90°) or 4 way (180°). Other graphic options are full custom printed dye sublimated graphics or TPU plastic for hygienic sneeze guards and partitions.

DISPLAY DIMENSIONS	157.5" W x 88.5" H x 157.5" D
GRAPHIC SIZE	41.5" x 63"

## GRAPHIC MATERIAL

Clear TPU Plastic and Dye Sub Stretch Fabric

## GRAPHIC FINISHING

Silicone beading sewn onto edge of graphic

## DISPLAY CONSTRUCTION

Aluminum extrusion frame with plastic components

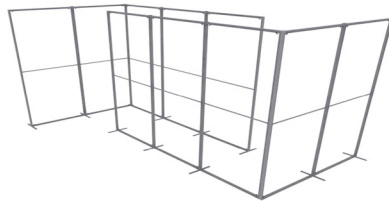
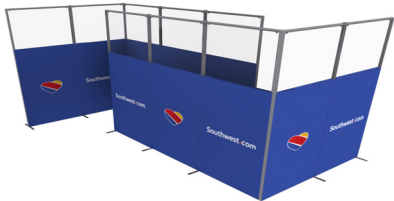
## SHIPPING WEIGHTS & DIMENSIONS

Shipping Weight	16 lbs (SEGO-100x225) (1 box)
	40 lbs (SEGO-300x225) (3 boxes)
Shipping Dimensions	47.25"W x 4"H x 10.25"D (1 box)
	47.25"W x 10.25"H x 10.25"D (3 boxes)

## GRAPHIC TURN AROUND TIME

2 business days after proof approval (up to 2 sets)

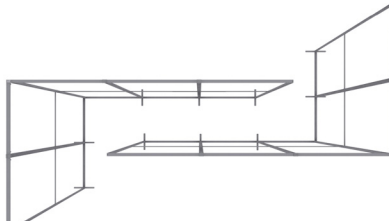
AVAILABILITY	PFC
--------------	-----



DUAL FOOT CONNECTION



T CONNECTION



90° CORNER CONNECTION



STRAIGHT CONNECTION

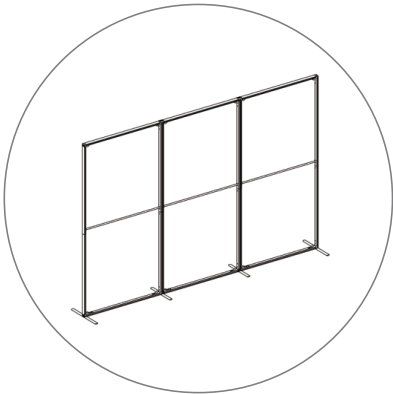
# QSEG QUEUE S-SHAPE 2 ROW

QSEG MODULAR SEG DISPLAY  
PRODUCT CODE: QSEGSQUEUE

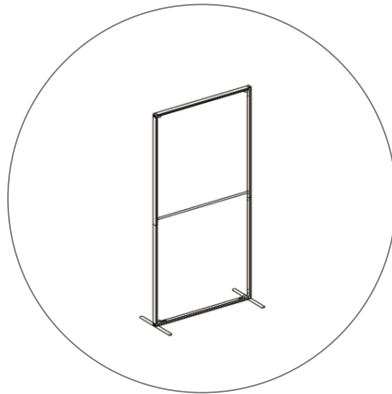


On frame On graphic

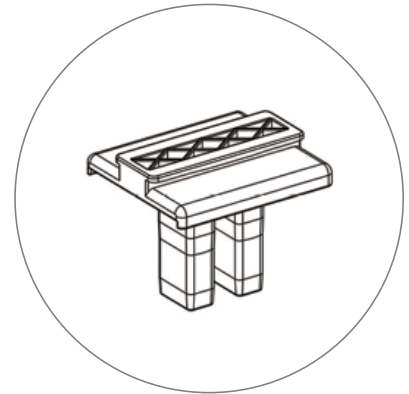
## PARTS LIST



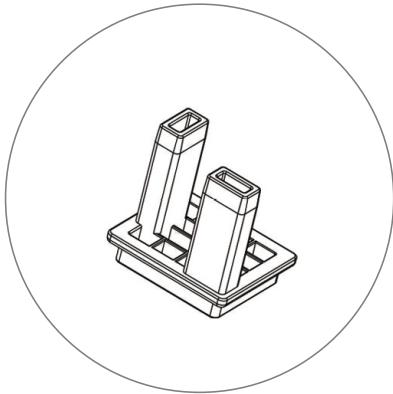
(qty 9)  
QSEG-300x225



(qty 2)  
QSEG-100x225



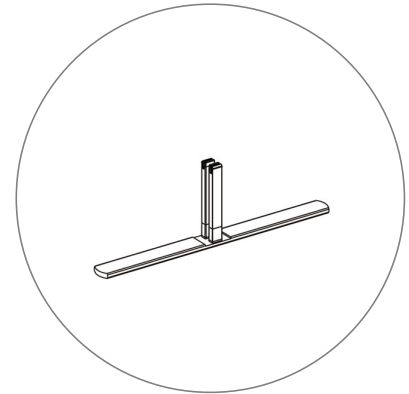
(qty 2)  
QSEG-SCON



(qty 2)  
QSEG-LCON



(qty 8)  
QSEG-TCON



(qty 2)  
TPF

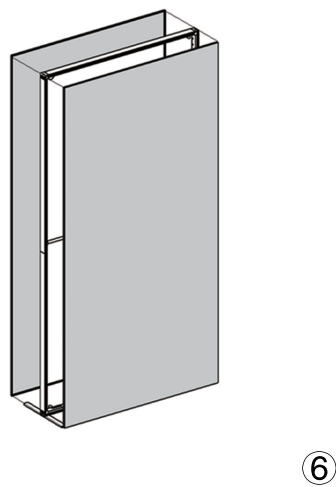
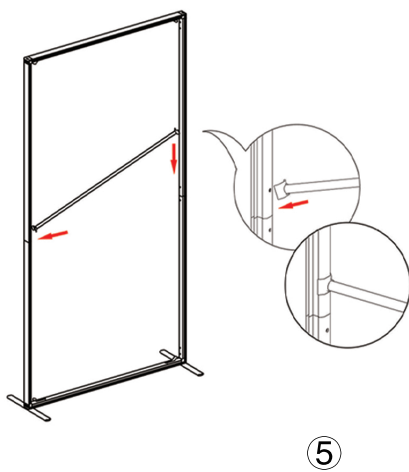
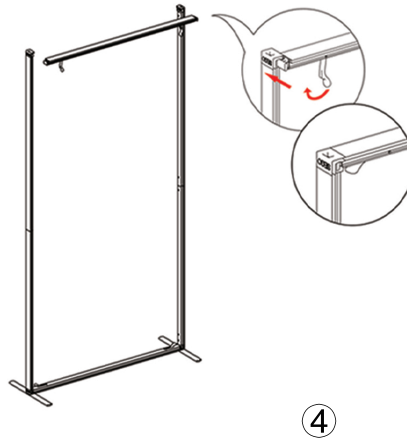
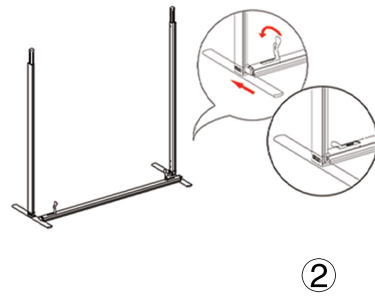
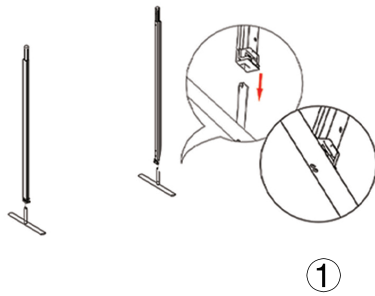
# QSEG QUEUE S-SHAPE 2 ROW

QSEG MODULAR SEG DISPLAY  
PRODUCT CODE: QSEGSQUEUE-2R-FCPG



On frame On graphic

## SET UP INSTRUCTIONS



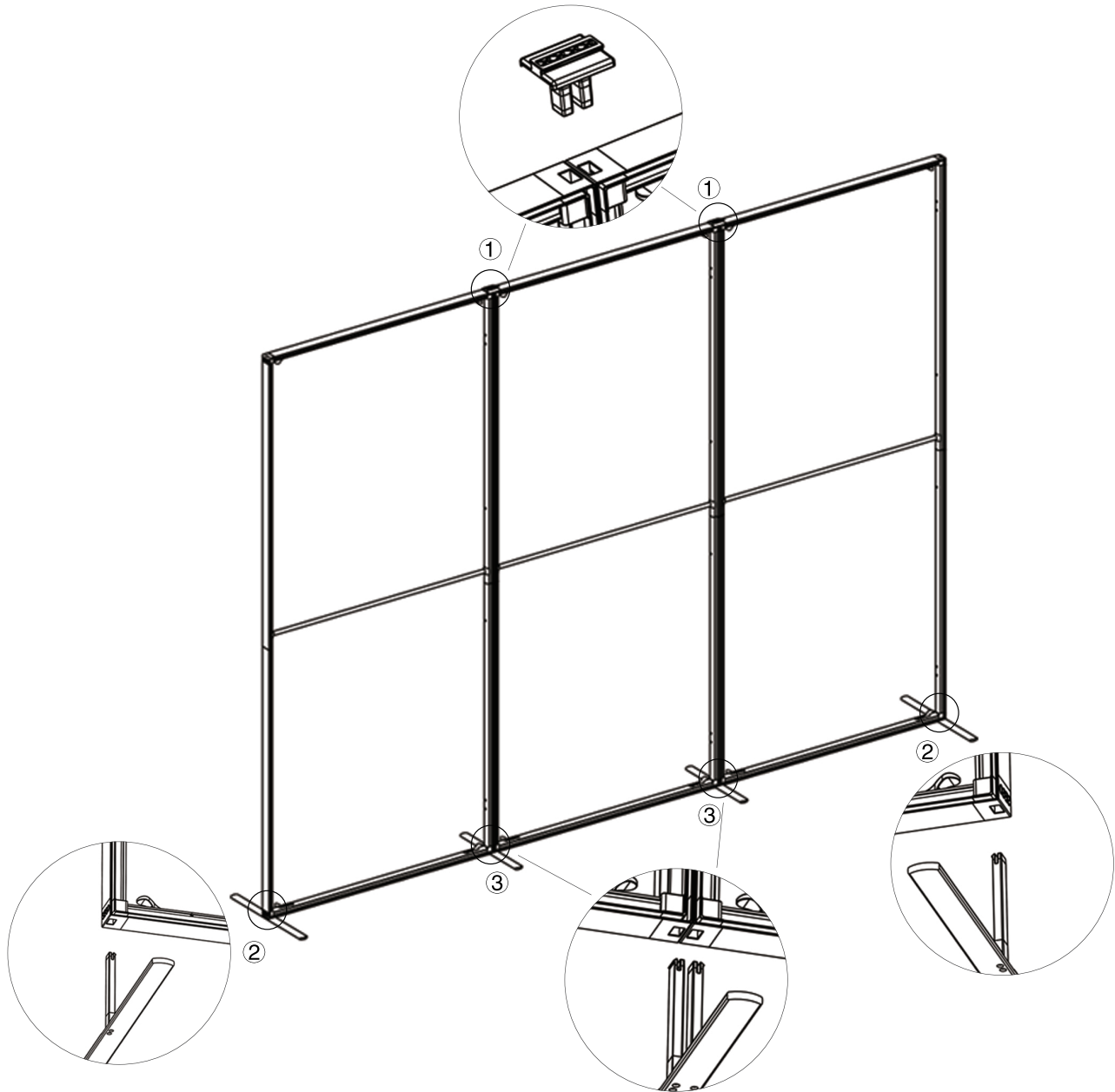
# QSEG QUEUE S-SHAPE 2 ROW

QSEG MODULAR SEG DISPLAY  
PRODUCT CODE: QSEGSQUEUE



On frame On graphic

## SET UP INSTRUCTIONS





# QSEG QUEUE S-SHAPE 2 ROW

QSEG MODULAR SEG DISPLAY  
PRODUCT CODE: QSEGSQUEUE



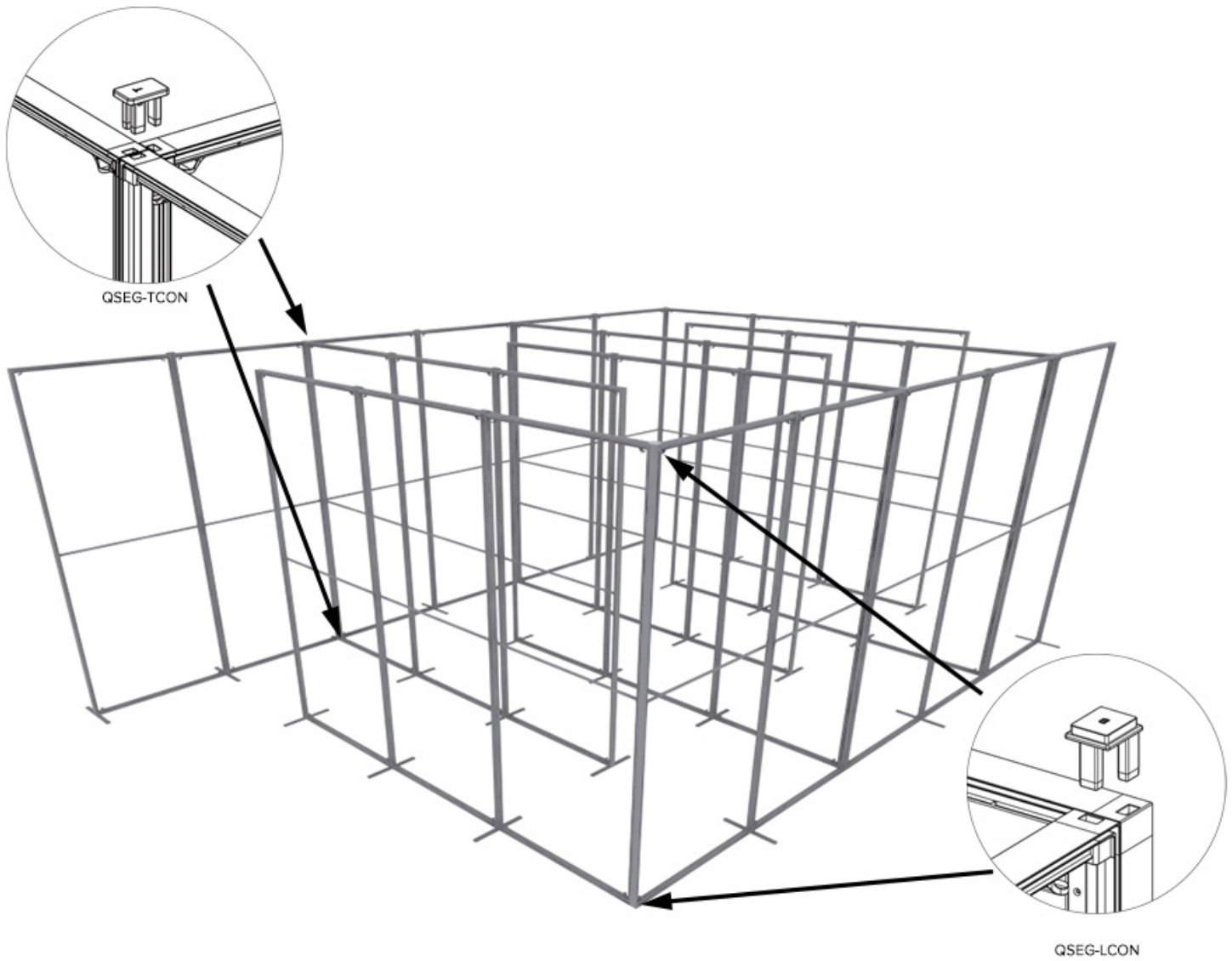
On frame



On graphic



## SET UP INSTRUCTIONS



# QSEG QUEUE S-SHAPE 2 ROW

QSEG MODULAR SEG DISPLAY  
PRODUCT CODE: QSEGSQUEUE



On frame On graphic

## TEMPLATE FULL PRINT

PLEASE DELETE ALL TEMPLATE ELEMENTS BEFORE UPLOADING

### QSEG QUEUE LINE S SHAPE 2 ROW

GRAPHIC DIMENSIONS: 41.5"W x 91" H  
YELLOW SAFE AREA: 33.5"W x 83" H

UPLOAD AT 100% SCALE  
DOCUMENT SIZE 41.5" x 91"

USE TEMPLATE 20 TIMES TOTAL (10 FRONT/10 BACK)  
REFERENCE TEMPLATE GUIDE FOR TEMPLATE LOCATIONS  
ANY CONTINUOUS ARTWORK TO MATCH UP OR LINE UP  
WITH ANOTHER PRINT MAY NOT LINE UP PERFECTLY

**KEEP ALL IMPORTANT GRAPHICS  
SUCH AS: LOGOS, TEXT, CONTACT INFO, ETC.  
IN THE YELLOW SAFE ZONE**

**ARTWORK IN THE BLUE AREA WILL PRINT BUT IS IN RISK  
OF BEING CLOSE TO THE EDGE OR TRIMMED OFF**

#### Graphic Specifications:

- Create to template specs
- 125 DPI resolution
- CMYK color
- No template lines
- Embed/link all images
- Create to outline all fonts

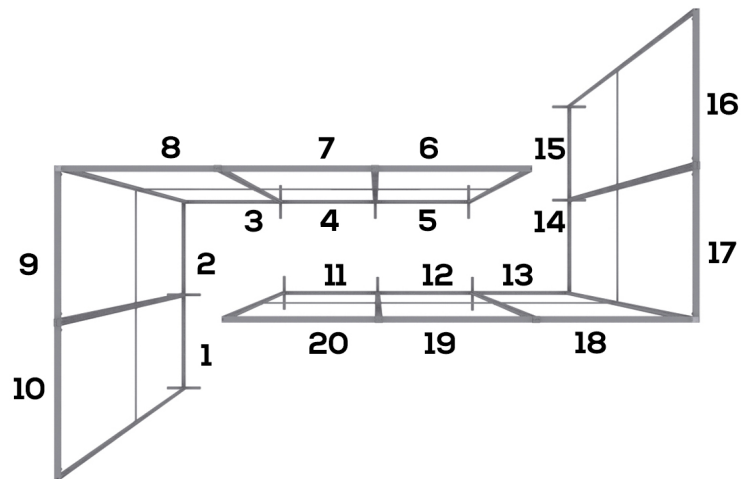
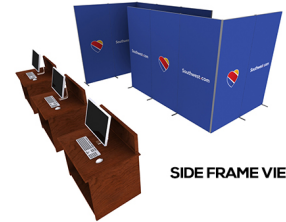
#### Acceptable file formats:

- Photoshop (.psd, .psb)
- Illustrator (.ai, .eps)
- Flattened .tiff
- Press quality .pdf

Ver-0622.20



### QUEUE S SHAPE 2 ROW TEMPLATE GUIDE



### AERIAL FRAME VIEW

NUMBERS ON THE IMAGE ABOVE INDICATE THE TEMPLATE LOCATION # ON FRAME  
PLEASE ADD TEMPLATE LOCATION # TO END OF FILENAME. EX: "QSEG-QUEUESHAPE-SINGLE-1"

# QSEG QUEUE S-SHAPE 2 ROW TPU + PRINT

QSEG MODULAR SEG DISPLAY  
PRODUCT CODE: QSEGSQUEUE



On frame On graphic

## TEMPLATE TPU + PRINT

**PLEASE DELETE ALL TEMPLATE ELEMENTS BEFORE UPLOADING**

### QSEG QUEUE S SHAPE 2 ROW TPU

GRAPHIC DIMENSIONS: 41.5"W x 63" H  
YELLOW SAFE AREA: 33.5"W x 55" H

UPLOAD AT 100% SCALE  
DOCUMENT SIZE 41.5" x 63"

USE TEMPLATE 20 TIMES TOTAL (10 FRONT/10 BACK)  
REFERENCE TEMPLATE GUIDE FOR TEMPLATE LOCATIONS  
ANY CONTINUOUS ARTWORK TO MATCH UP OR LINE UP  
WITH ANOTHER PRINT MAY NOT LINE UP PERFECTLY

GRAPHIC WILL BE BOTTOM HALF OF PANEL  
CLEAR TPU PLASTIC WILL BE SEWN TO TOP  
\*TPU PORTION NOT PICTURED ON TEMPLATE

*KEEP ALL IMPORTANT GRAPHICS  
SUCH AS: LOGOS, TEXT, CONTACT INFO, ETC.  
IN THE YELLOW SAFE ZONE*

*ARTWORK IN THE BLUE AREA WILL PRINT BUT IS IN RISK  
OF BEING CLOSE TO THE EDGE OR TRIMMED OFF*

**Graphic Specifications:**

- Create to template specs
- 125 DPI resolution
- CMYK color
- No template lines
- Embed/link all images
- Create to outline all fonts

**Acceptable file formats:**

- Photoshop (.psd, .psb)
- Illustrator (.ai, .eps)
- Flattened .tiff
- Press quality .pdf

Ver-0622.20

### Qseg

#### QUEUE S SHAPE 2 ROW TEMPLATE GUIDE

SIDE FRAME VIEW

**AERIAL FRAME VIEW**

NUMBERS ON THE IMAGE ABOVE INDICATE THE TEMPLATE LOCATION # ON FRAME  
PLEASE ADD TEMPLATE LOCATION # TO END OF FILENAME. EX: "QSEG-QUEUESHAPE-SINGLE-1"