

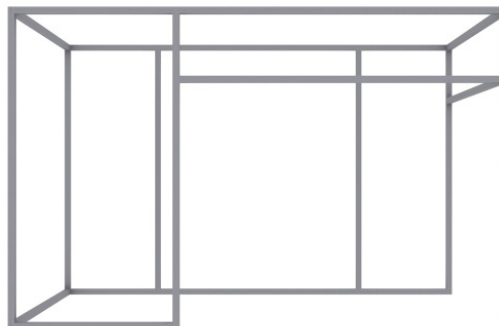
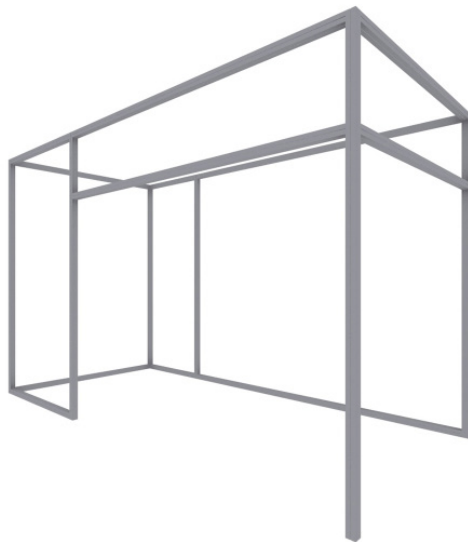
# CABO A

RESORT EXTRUSIONS

PRODUCT CODE: CABOMTX-A



On frame On graphic



## PRODUCT DESCRIPTION

The Cabo aluminum extrusion profile system is an elegant and versatile solution for all of your display needs. Featuring a sleek silver anodized finish, the Cabo is the perfect solution for tradeshow booths, retail environments, pop up shops, or any place aluminum framing is needed. The profiles are available in standard 40mm and 80mm profile widths and in different shapes allowing you to turn your display vision into reality. Promote your company, new products, etc with custom dye sublimated fabric graphics. 12mm x 3mm silicone beading (SEG) is sewn around the perimeter of each fabric panel for easy installation and removal of your graphics. Choose from one of our pre designed configurations or contact us for a quote on something totally custom.

DISPLAY DIMENSIONS	236.8"W X 152.75"H X 120"D
GRAPHIC SIZE	See Template Page

## GRAPHIC MATERIAL

Dye-Sub Black & White Fabric

## GRAPHIC FINISHING

12mm x 3mm silicone beading is sewn around the perimeter of the fabric graphic. Silicone beading is hidden from view once installed.

## DISPLAY CONSTRUCTION

Extruded aluminum profile frame with aluminum and steel components

## SHIPPING WEIGHTS & DIMENSIONS

Shipping Weight (LTL weight includes crate)	841 lbs (frame only) - LTL ONLY
	891 lbs (frame & graphic) - LTL ONLY 50 lbs (graphic only) - UPS
Crate Shipping Dimensions	102"L x 49.5"W x 44.5"H (Graphic Package & Hardware Only)

## GRAPHIC TURN AROUND TIME

5 business days after proof approval for up to 2 booths

AVAILABILITY	PFC
--------------	-----



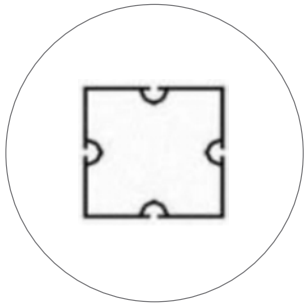
On frame



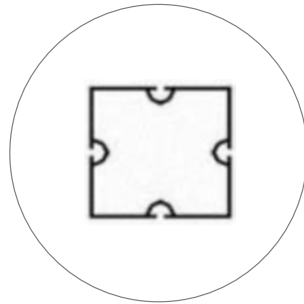
On graphic



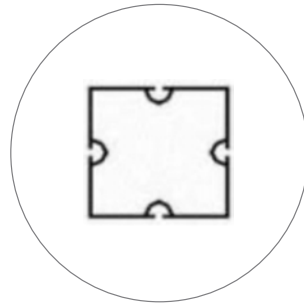
## PARTS LIST HARDWARE ONLY



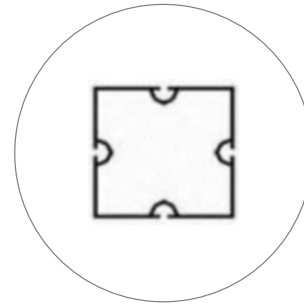
CABO-80 76.4" W  
(qty 14)



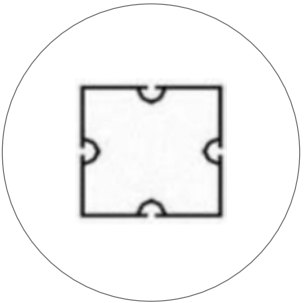
CABO-80 120" W  
(qty 2)



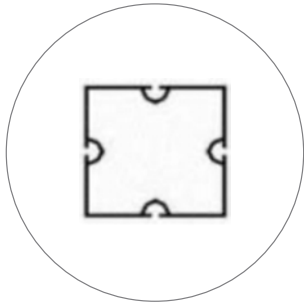
CABO-80 113.8" W  
(qty 4)



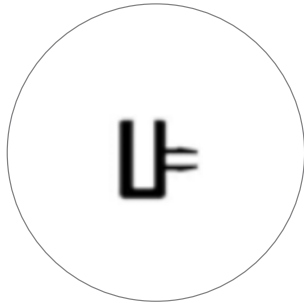
CABO-80 74.8" W  
(qty 2)



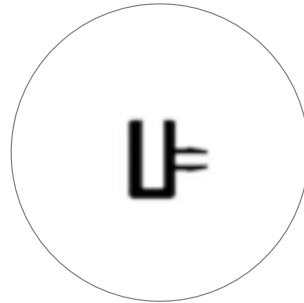
CABO-80 68.6" W  
(qty 2)



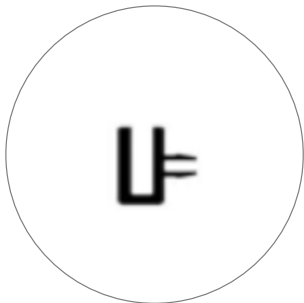
CABO-80 185.5" W  
(qty 2)



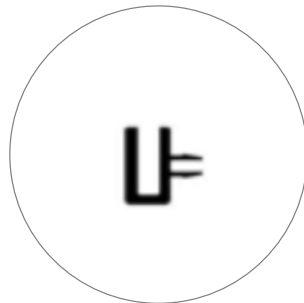
CABO-SEG-PLASTIC 32.6" W  
(qty 4)



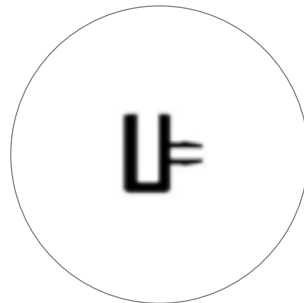
CABO-SEG-PLASTIC 68.4" W  
(qty 4)



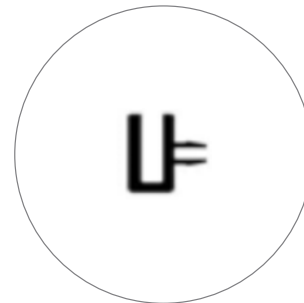
CABO-SEG-PLASTIC 56.85" W  
(qty 4)



CABO-SEG-PLASTIC 73.2" W  
(qty 12)

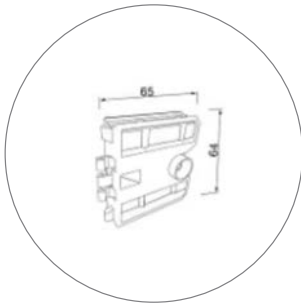


CABO-SEG-PLASTIC 76.35" W  
(qty 4)

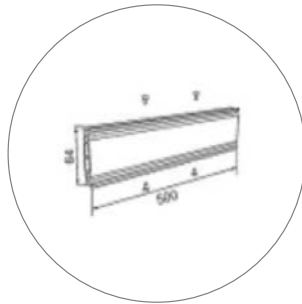


CABO-SEG-PLASTIC 120" W  
(qty 2)

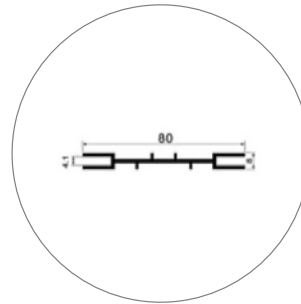
## PARTS LIST HARDWARE ONLY



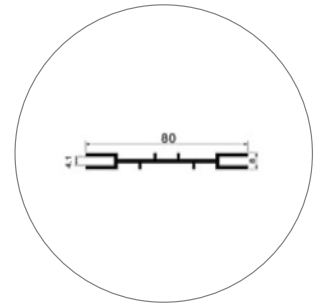
CABO-80-LOCK  
(qty 30)



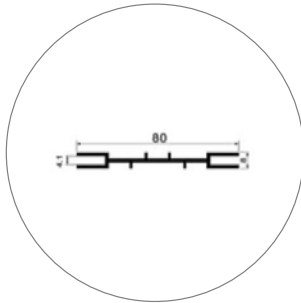
CABO-80-ADPT  
(qty 7)



CABO-80-SEG 56.85" W  
(qty 4)



CABO-80-SEG 73.2" W  
(qty 8)



CABO-80-SEG 74.7" W  
(qty 2)



CABO-HHS  
(qty 57)



CABO-LTORX  
(qty 1)

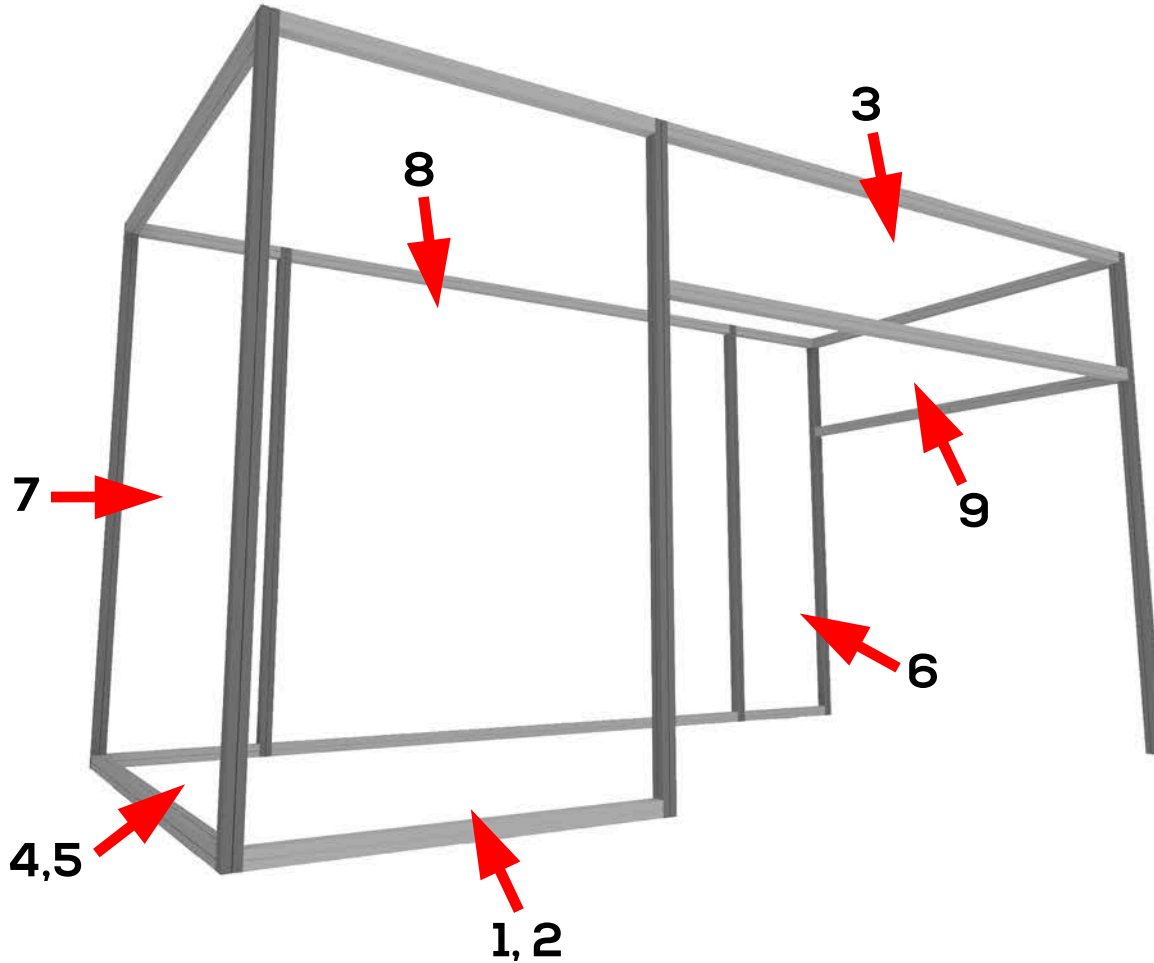


CABO-TSCREWDRIVER  
(qty 2)



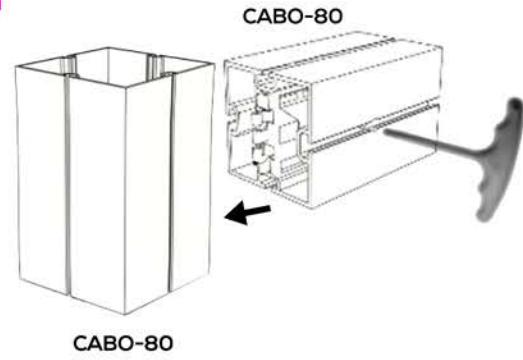
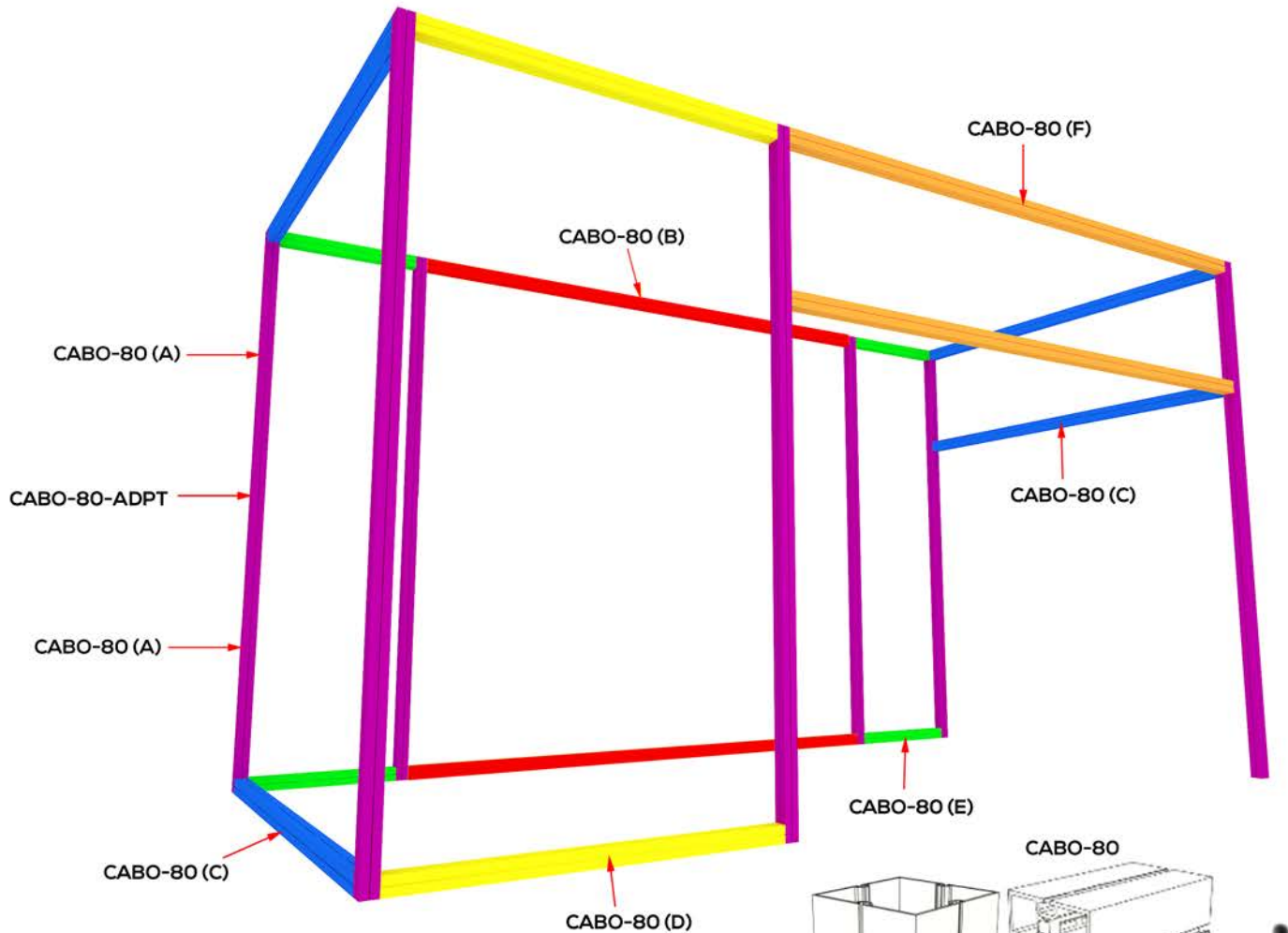
CABO-TTORX  
(qty 1)

# Template Guide

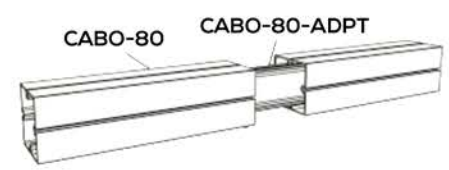


PANEL	DIMS	NOTES
1	74.8" W x 146.5" H	Outside Print
2	74.8" W x 146.5" H	Inside Print
3	185.4" W x 32.7" H	Outside Print
4	113.8" W x 146.5" H	Outside Print
5	113.8" W x 146.5" H	Inside Print
6	52.2" W x 146.5" H	Inside Print
7	52.2" W x 146.5" H	Inside Print
8	120" W x 146.5" H	Inside Print
9	113.8" W x 32.7" H	Outside Print

## Frame Assembly



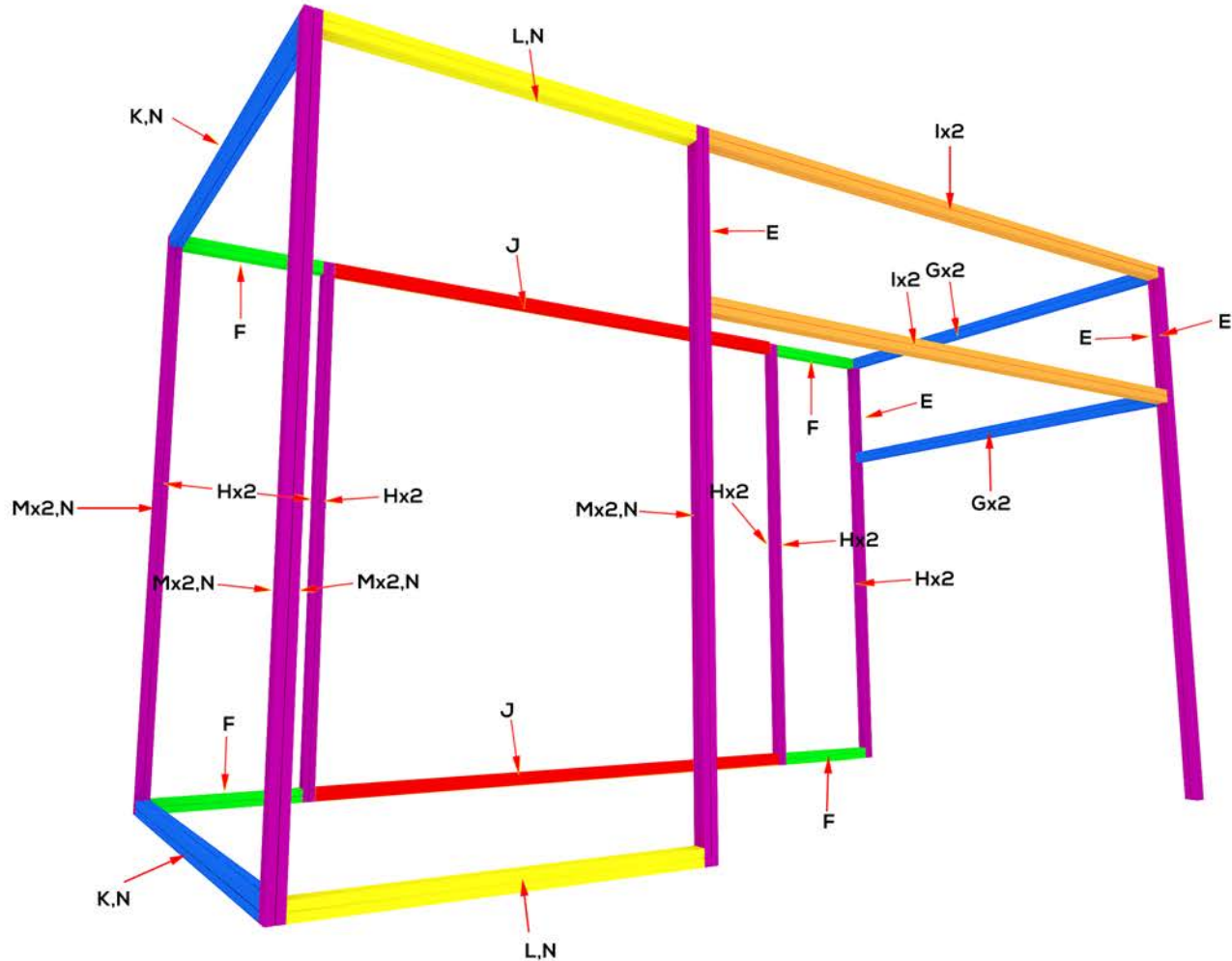
- CABO 80 Profile Connection**
1. Line up lock with system groove on vertical profile
  2. Insert teeth of lock into groove
  3. Use torx tool to tighten lock (turn clockwise to tighten)



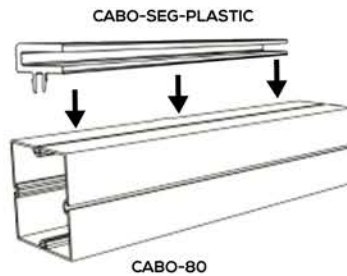
- CABO-80-ADPT Connection**
1. Insert CABO-80-ADPT into one CABO-80 profile
  2. Slide opposing CABO-80 profile onto CABO-80-ADPT
  3. Tighten screws on CABO-80-ADPT to secure profiles in place

REF	SKU	QTY	Length
A	CABO-80	14	76.4"
B	CABO-80	2	119.8"
C	CABO-80	4	113.6"
D	CABO-80	2	74.8"
E	CABO-80	4	52.2"
F	CABO-80	2	152.5"
F	CABO-80-ADPT	7	n/a

## SEG Attachments

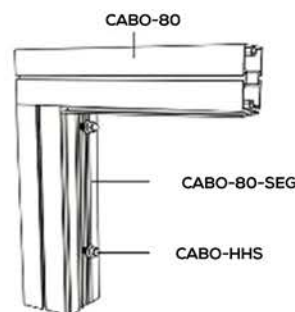


REF	SKU	QTY	LENGTH
E	CABO-SEG-PLASTIC	4	32.6"
F	CABO-SEG-PLASTIC	4	68.4
G	CABO-SEG-PLASTIC	4	56.85"
H	CABO-SEG-PLASTIC	12	73.2"
I	CABO-SEG-PLASTIC	4	76.35"
J	CABO-SEG-PLASTIC	2	120"
K	CABO-80-SEG	2	74.7"
L	CABO-80-SEG	4	56.85
M	CABO-80-SEG	8	73.2"
N	CABO-HHS	57	n/a



### CABO-SEG-PLASTIC Installation

1. Line up clip of CABO-SEG-PLASTIC with system groove of profile
2. Press CABO-SEG-PLASTIC down to lock into place.



### CABO-80-SEG Installation

1. Unscrew CABO-HHS and feed through holes on CABO-80-SEG
2. Line up CABO-HHS with system groove on profile CABO-80-SEG will attach to
3. Tighten CABO-HHS clockwise to secure