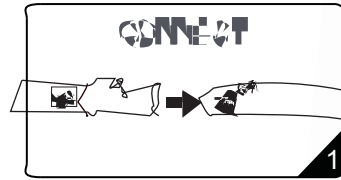
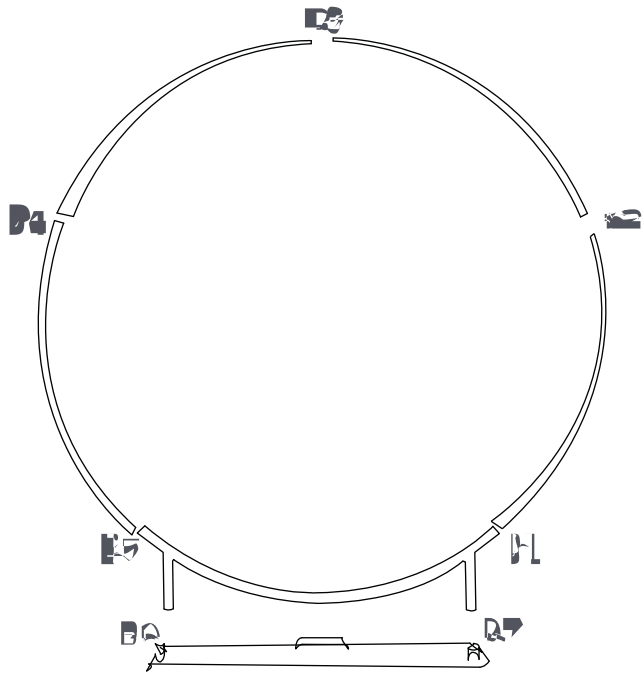
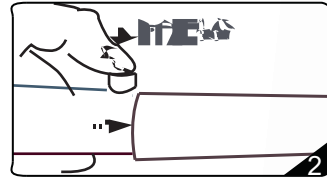


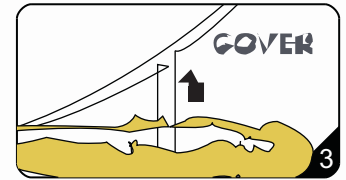
EZ EXTEND ROUND FABRIC DISPLAY



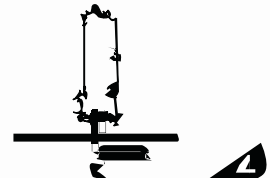
Connect numbered tubes together.



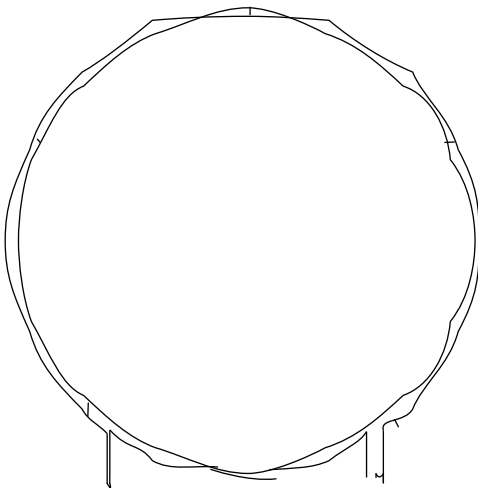
Push button down and insert tube.



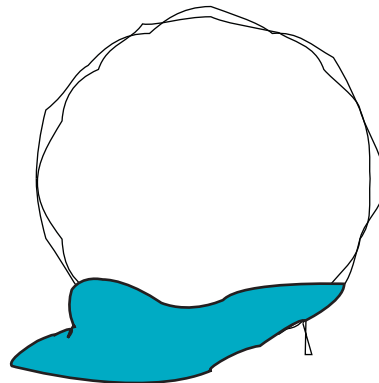
Pull graphic up from bottom of frame and close zippers.



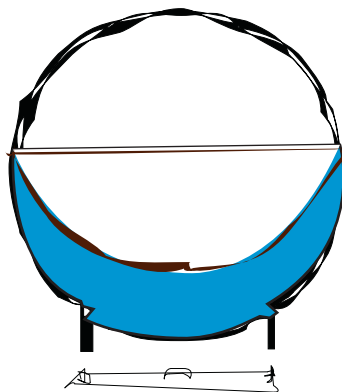
Screw legs into base.



Set up frame, snap tubes together.



Drape bottom of graphic over the bottom of the frame. Thread the "legs" through and insert them into the base. Pull graphic halfway up the frame.



Close zipper over the top of the frame.