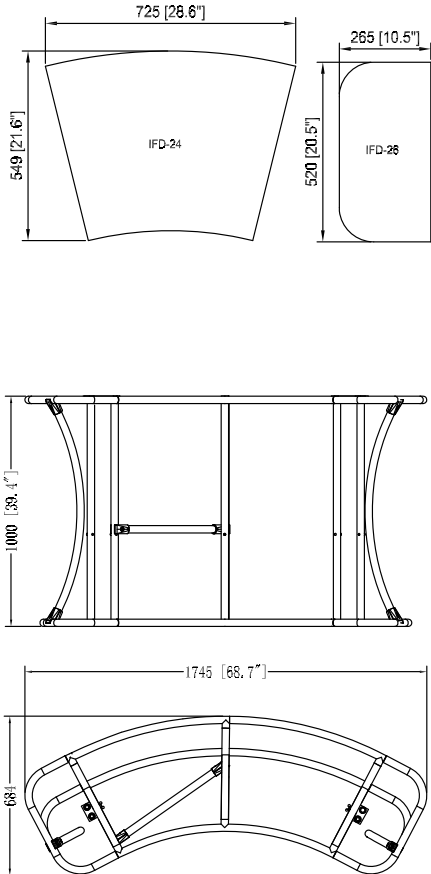
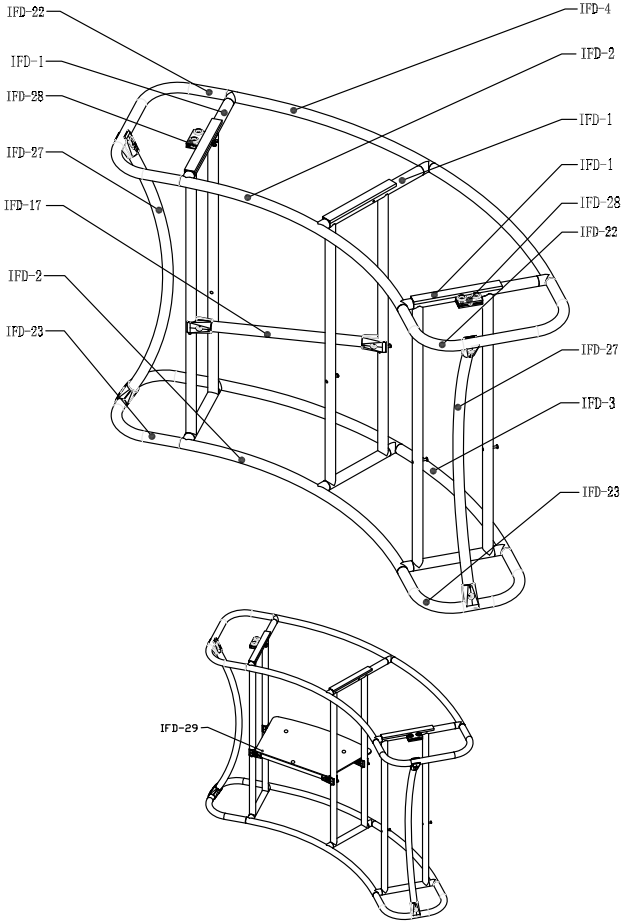


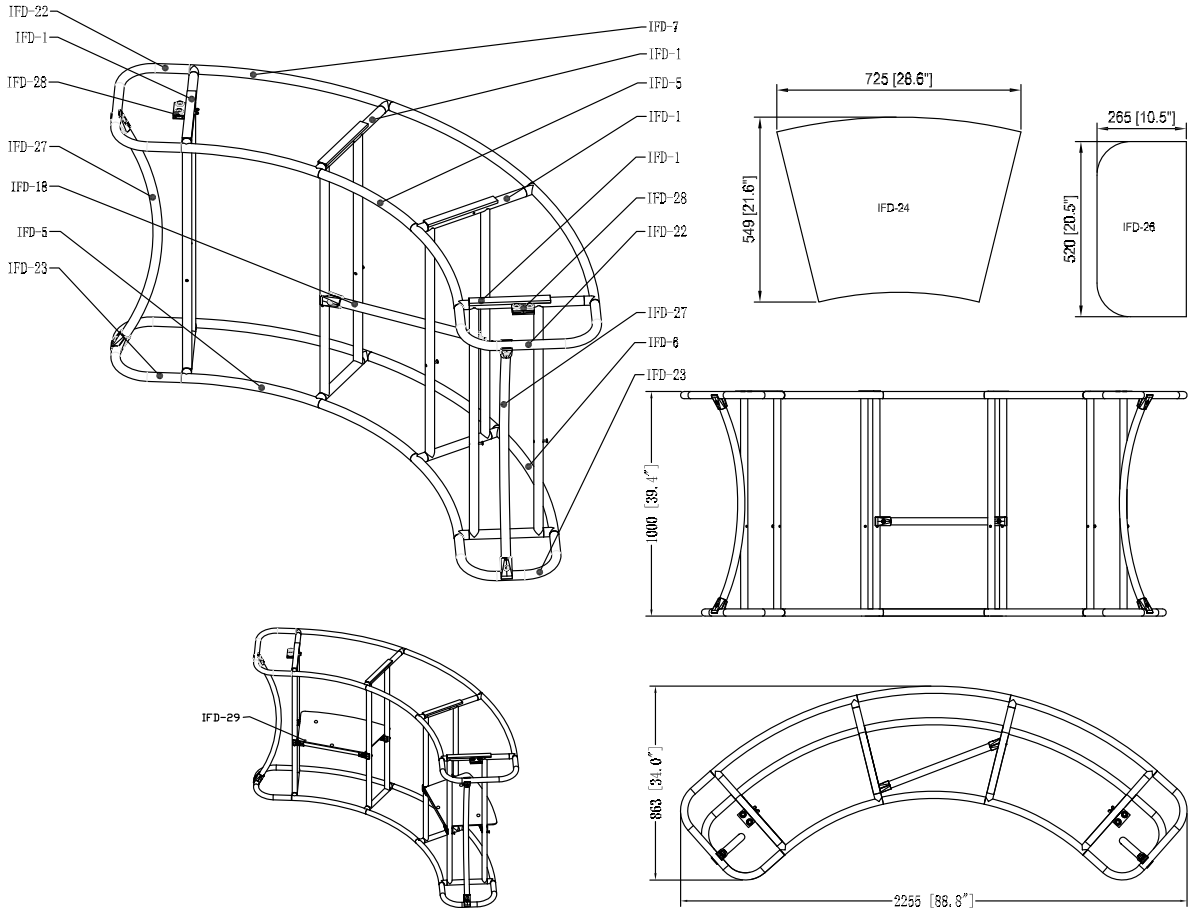
WAVELINE®
INFODESK

IFD-H-02CV



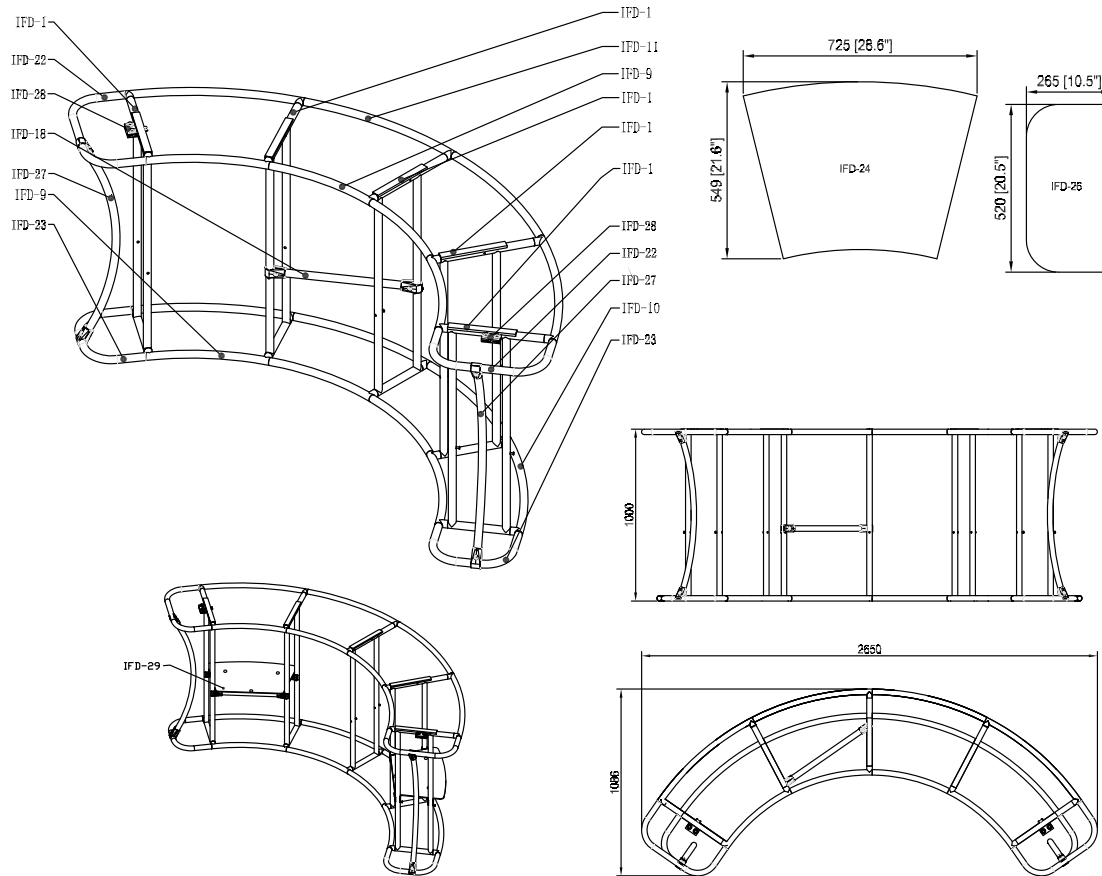
Hardware												Countertop			Graphics		Accessories			Shipping Case		
No.	Quantity	Confirm	No.	Quantity	Confirm	No.	Quantity	Confirm	No.	Quantity	Confirm	No.	Quantity	Confirm	Single or Double-sided		No.	Quantity	Confirm	No.	Quantity	Confirm
IFD-1	3		IFD-22	2		/						Yes / No			Single or Double-sided		IFD-29	1		CA900		
IFD-2	2		IFD-23	2								IFD-24	2		None				CA500			
IFD-3	1		IFD-27	2								IFD-26	2		Complete				NYLON BAG			
IFD-4	1		IFD-28	2										Split-ship								
IFD-17	1																					

IFD-H-03CV



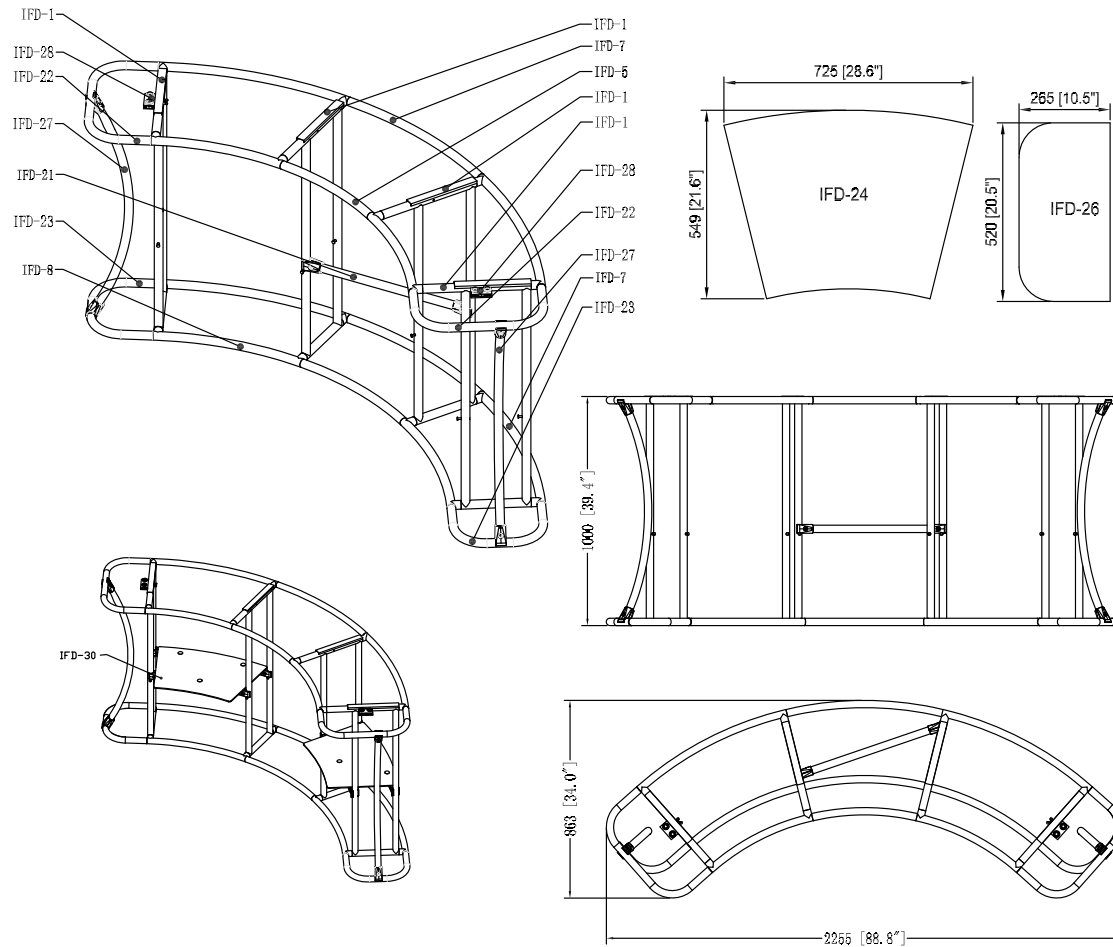
Hardware												Countertop			Graphics		Accessories			Shipping Case			
IFD-1	3		IFD-22	2								Yes / No			Single or Double-sided		IFD-29	2		CA900			
IFD-5	2		IFD-23	2								IFD-24	3		None					CA500			
IFD-6	1		IFD-27	2								IFD-26	2		Complete					NYLON BAG			
IFD-7	1		IFD-28	2											Split-ship								
IFD-18	1																						
No.	Quantity	Confirm	No.	Quantity	Confirm	No.	Quantity	Confirm	No.	Quantity	Confirm	No.	Quantity	Confirm		Confirm	No.	Quantity	Confirm	No.	Quantity	Confirm	

IFD-H-04CV



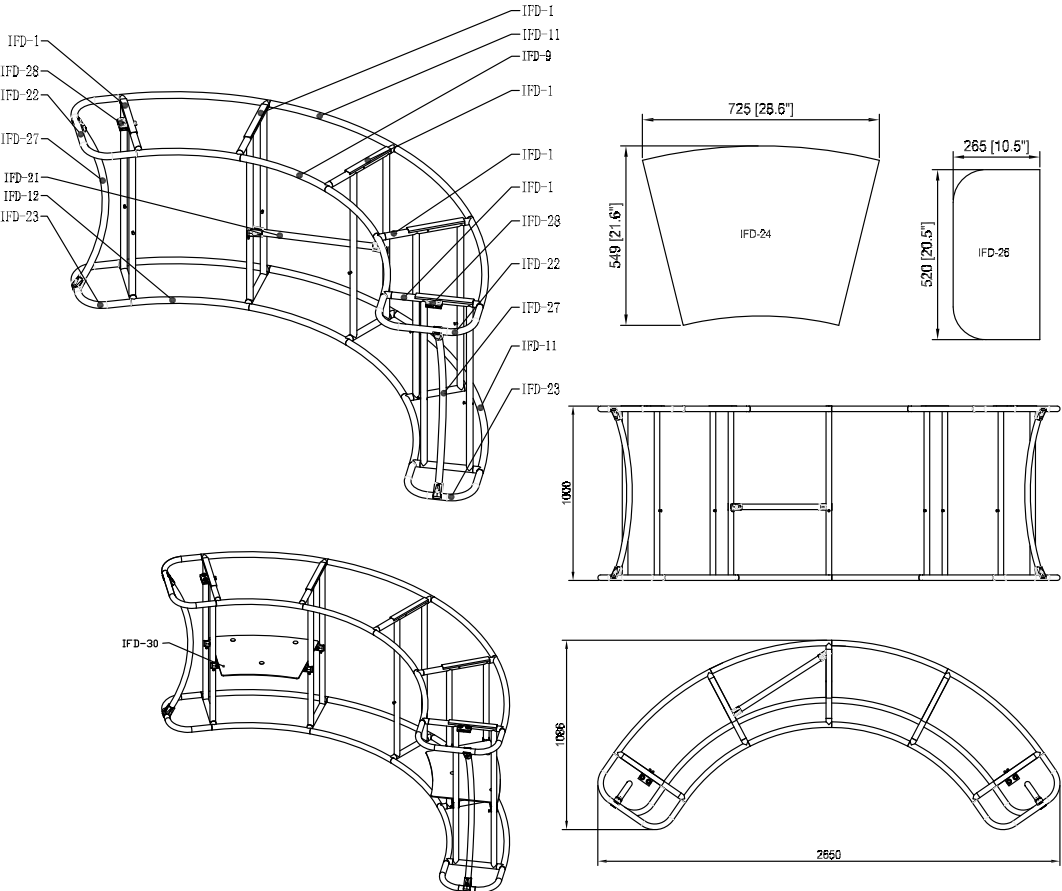
Hardware												Countertop			Graphics		Accessories			Shipping Case		
No.	Quantity	Confirm	No.	Quantity	Confirm	No.	Quantity	Confirm	No.	Quantity	Confirm	No.	Quantity	Confirm		Confirm	No.	Quantity	Confirm	No.	Quantity	Confirm
IFD-1	5		IFD-22	2		/						Yes / No			Single or Double-sided	IFD-24	2		CA900			
IFD-9	2		IFD-23	2								IFD-24	4		None				CA500			
IFD-10	1		IFD-27	2								IFD-26	2		Complete				NYLON BAG			
IFD-11	1		IFD-28	2											Split-ship							
IFD-18	2																					

IFD-H-03CI



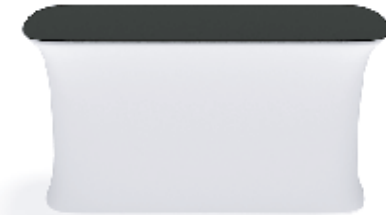
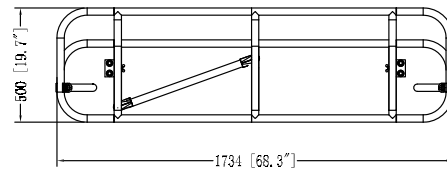
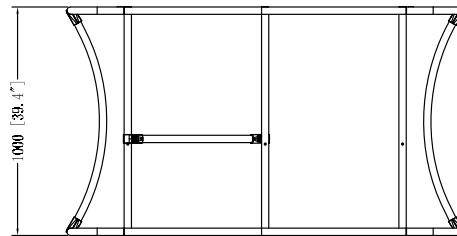
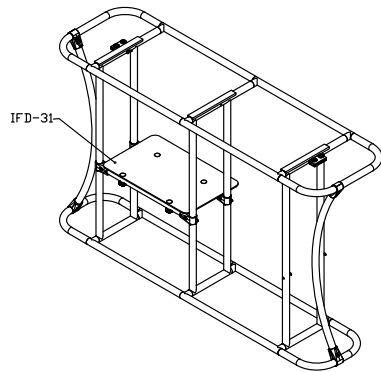
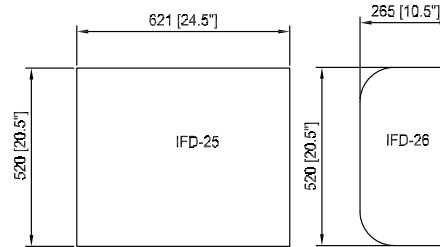
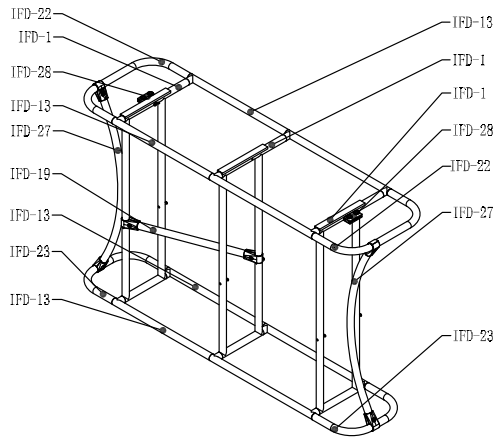
Hardware												Countertop			Graphics		Accessories			Shipping Case		
No.	Quantity	Confirm	No.	Quantity	Confirm	No.	Quantity	Confirm	No.	Quantity	Confirm	No.	Quantity	Confirm	Single or Double-sided		No.	Quantity	Confirm	No.	Quantity	Confirm
IFD-1	4		IFD-22	2		/						Yes / No					IFD-30	2		CA900		
IFD-5	1		IFD-23	2								IFD-24	3		None				CA500			
IFD-7	2		IFD-27	2								IFD-26	2		Complete				NYLON BAG			
IFD-8	1		IFD-28	2										Split-ship								
IFD-21	1																					

IFD-H-04CI



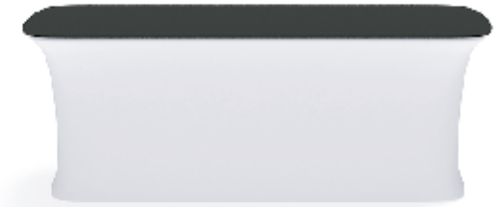
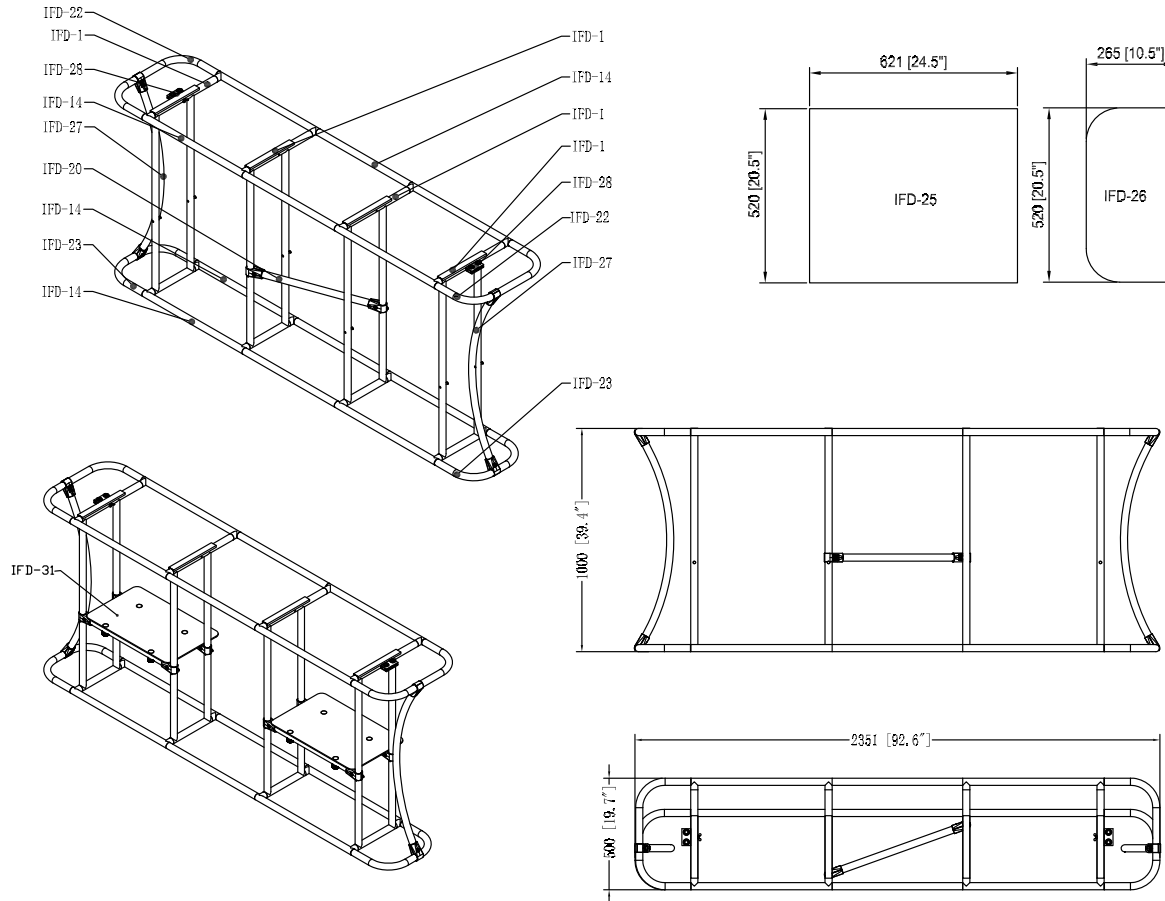
Hardware												Countertop			Graphics		Accessories			Shipping Case			
No.	Quantity	Confirm	No.	Quantity	Confirm	No.	Quantity	Confirm	No.	Quantity	Confirm	No.	Quantity	Confirm	Single or Double-sided	IFD-24	Quantity	Confirm	No.	Quantity	Confirm		
IFD-1	3		IFD-22	2		/						Yes / No			Single or Double-sided	IFD-24	2		CA900				
IFD-2	2		IFD-23	2								IFD-24	4		None						CA500		
IFD-3	1		IFD-27	2								IFD-26	2		Complete						NYLON BAG		
IFD-4	1		IFD-28	2											Split-ship								
IFD-17	1																						
No.	Quantity	Confirm	No.	Quantity	Confirm	No.	Quantity	Confirm	No.	Quantity	Confirm	No.	Quantity	Confirm	Confirm	No.	Quantity	Confirm	No.	Quantity	Confirm		

IFD-H-02F



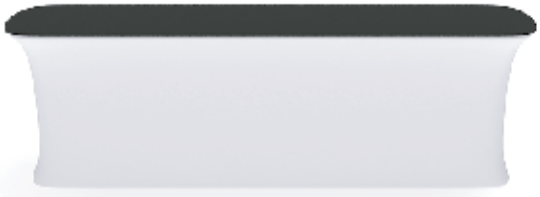
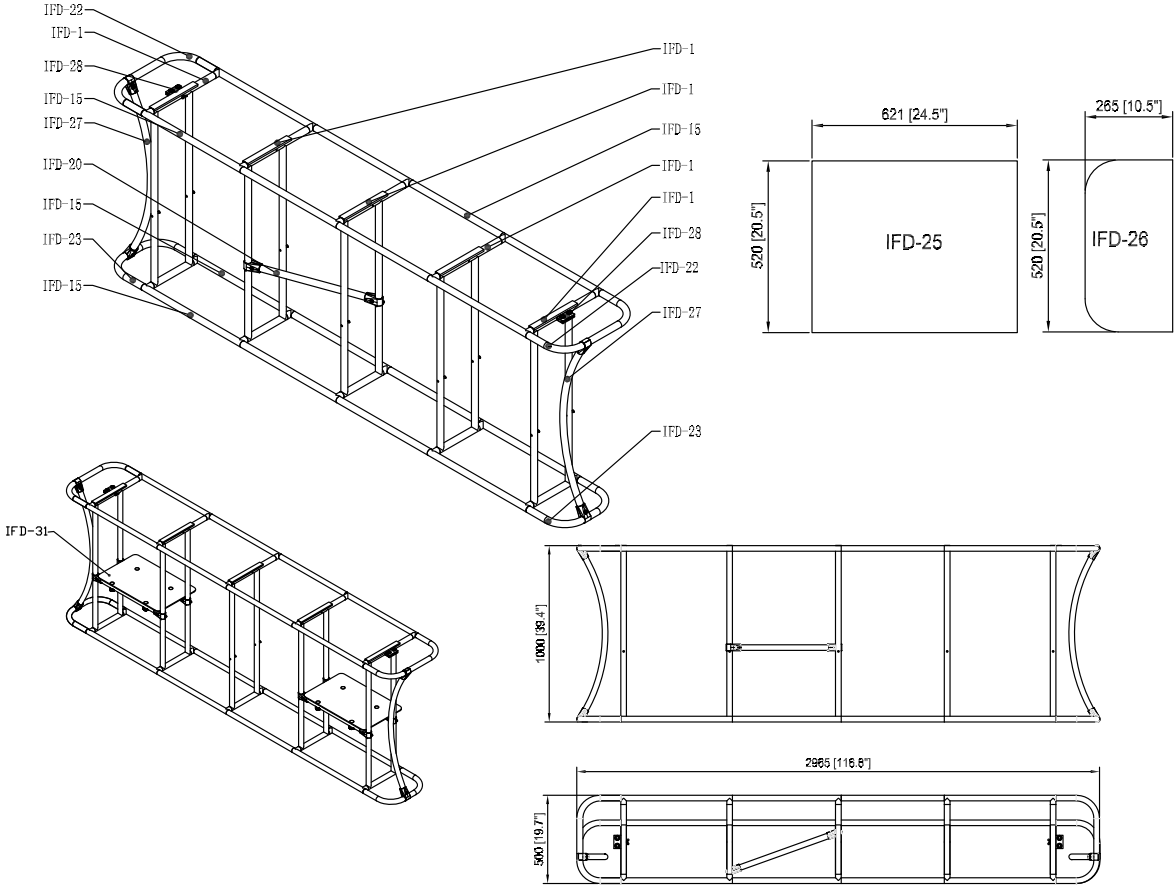
Hardware												Countertop			Graphics		Accessories			Shipping Case		
No.	Quantity	Confirm	No.	Quantity	Confirm	No.	Quantity	Confirm	No.	Quantity	Confirm	No.	Quantity	Confirm		Confirm	No.	Quantity	Confirm	No.	Quantity	Confirm
IFD-1	3		IFD-27	2		/						Yes / No			Single or Double-sided		IFD-31	1		CA900		
IFD-13	4		IFD-28	2								IFD-25	2		None				CA500			
IFD-19	1											IFD-26	2		Complete				NYLON BAG			
IFD-22	2														Split-ship							
IFD-23	2																					

IFD-H-03F



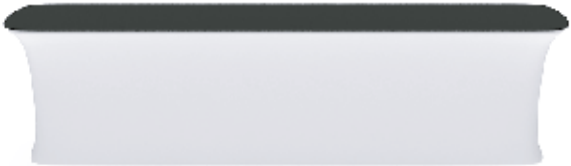
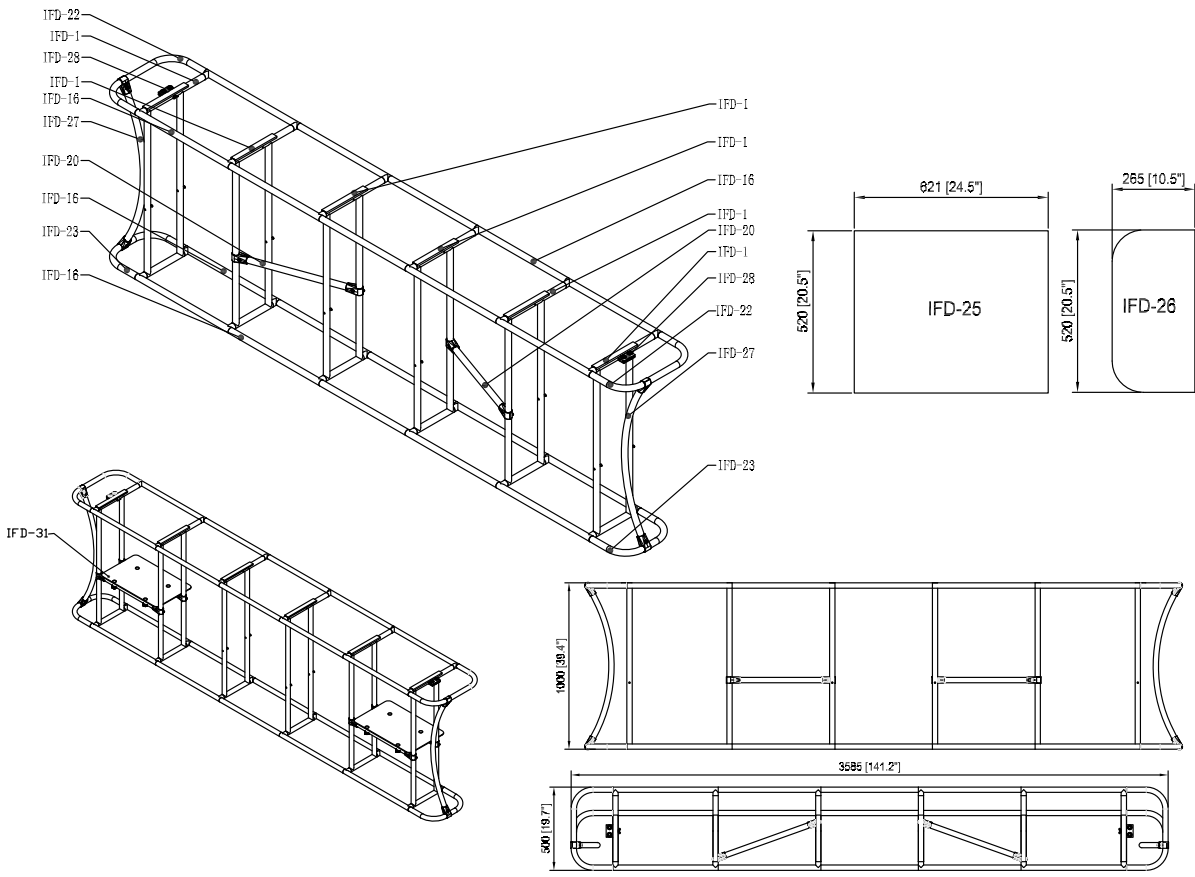
Hardware												Countertop			Graphics		Accessories			Shipping Case						
No.	Quantity	Confirm	No.	Quantity	Confirm	No.	Quantity	Confirm	No.	Quantity	Confirm	No.	Quantity	Confirm	Single or Double-sided	IFD-31	2	CA900								
IFD-1	3		IFD-22	2		/						Yes / No														
IFD-2	2		IFD-23	2								IFD-25	3		None									CA500		
IFD-3	1		IFD-27	2								IFD-26	2		Complete									NYLON BAG		
IFD-4	1		IFD-28	2											Split-ship											
IFD-17	1																									
No.	Quantity	Confirm	No.	Quantity	Confirm	No.	Quantity	Confirm	No.	Quantity	Confirm	No.	Quantity	Confirm	Confirm	No.	Quantity	Confirm	No.	Quantity	Confirm					

IFD-H-04F



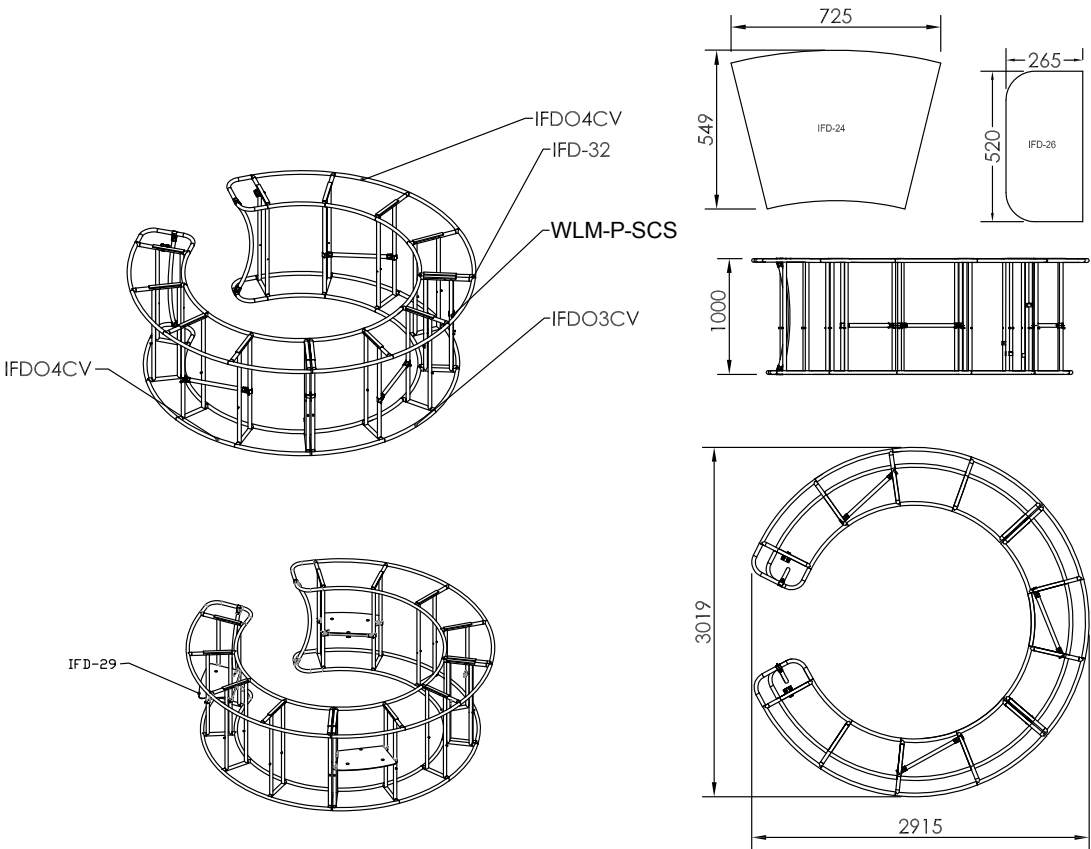
Hardware												Countertop			Graphics		Accessories			Shipping Case				
No.	Quantity	Confirm	No.	Quantity	Confirm	No.	Quantity	Confirm	No.	Quantity	Confirm	No.	Quantity	Confirm	Single or Double-sided	IFD-31	2	Confirm	No.	Quantity	Confirm	No.	Quantity	Confirm
IFD-1	5		IFD-27	2		/						Yes / No			Single or Double-sided		IFD-31	2		CA900				
IFD-15	4		IFD-28	2								IFD-25	4		None		CA500							
IFD-19	1											IFD-26	2		Complete		NYLON BAG							
IFD-22	2														Split-ship									
IFD-23	2																							

IFD-H-05F



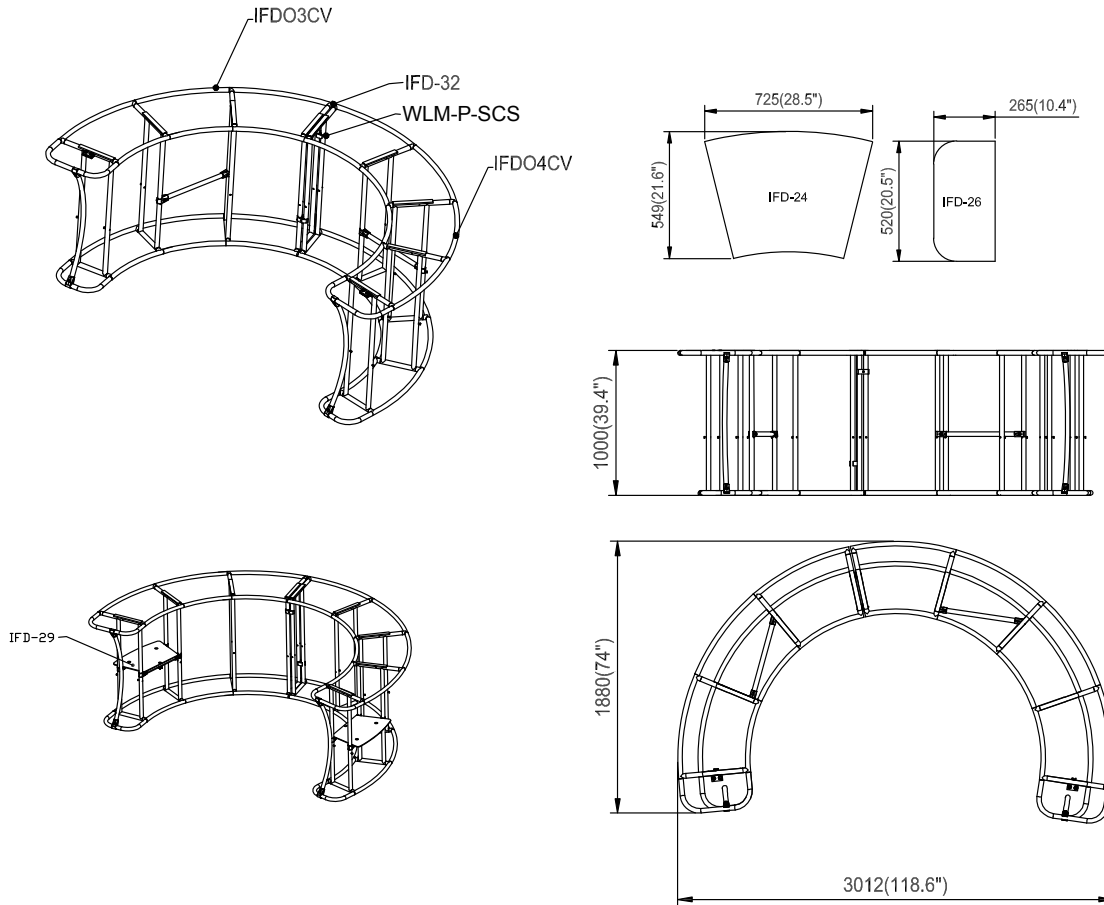
Hardware												Countertop			Graphics		Accessories			Shipping Case		
No.	Quantity	Confirm	No.	Quantity	Confirm	No.	Quantity	Confirm	No.	Quantity	Confirm	No.	Quantity	Confirm		Confirm	No.	Quantity	Confirm	No.	Quantity	Confirm
IFD-1	6		IFD-27	2		/						Yes / No			Single or Double-sided	IFD-25	2		CA900			
IFD-16	4		IFD-28	2								IFD-25	5		None				CA500			
IFD-19	2											IFD-26	2		Complete				NYLON BAG			
IFD-22	2														Split-ship							
IFD-23	2																					

IFD-H-12CO



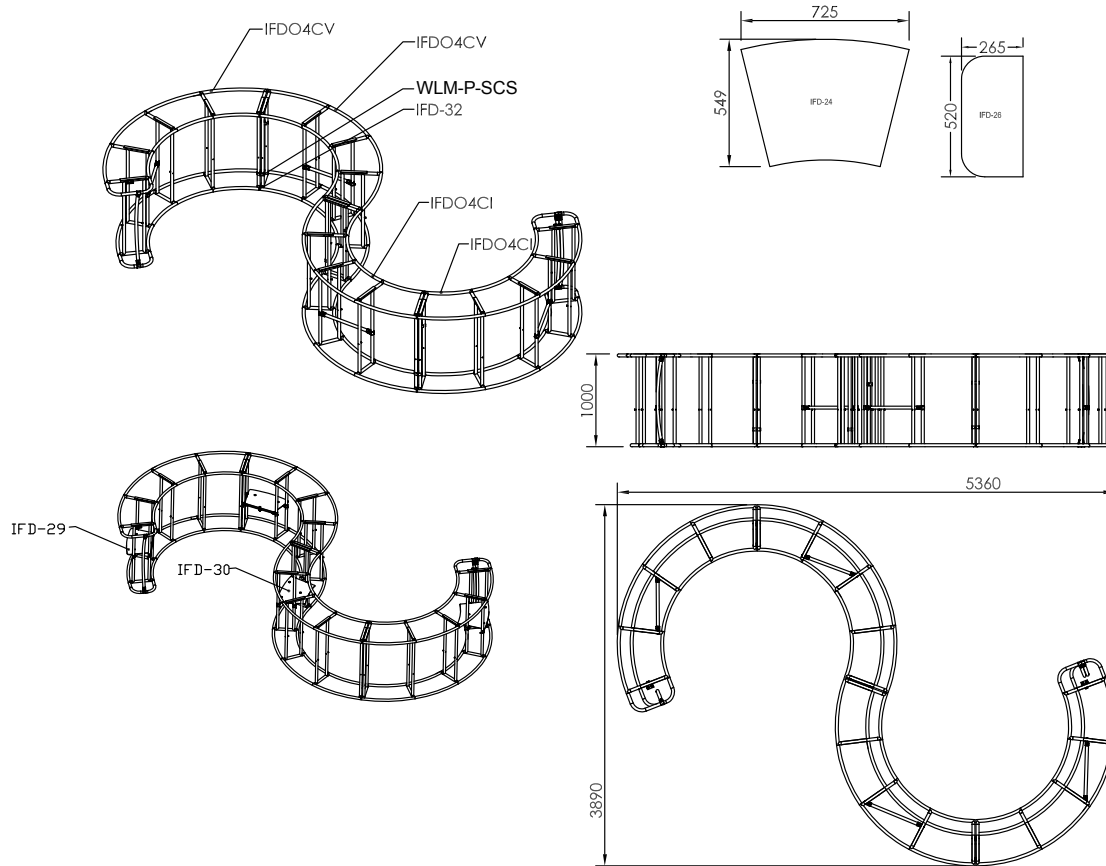
Hardware												Countertop			Graphics		Accessories			Shipping Case		
No.	Quantity	Confirm	No.	Quantity	Confirm	No.	Quantity	Confirm	No.	Quantity	Confirm	No.	Quantity	Confirm	Yes / No	Single or Double-sided	IFD-29	Quantity	Confirm	No.	Quantity	Confirm
IFD04CV	2																	3		CA900		
IFD03CV	1											IFD-24	11		None					CA500		
WLM-P-SCS	4											IFD-26	2		Complete					NYLON BAG		
IFD-32	8														Split-ship							
No.	Quantity	Confirm	No.	Quantity	Confirm	No.	Quantity	Confirm	No.	Quantity	Confirm	No.	Quantity	Confirm		Confirm	No.	Quantity	Confirm	No.	Quantity	Confirm

IFD-H-07CO



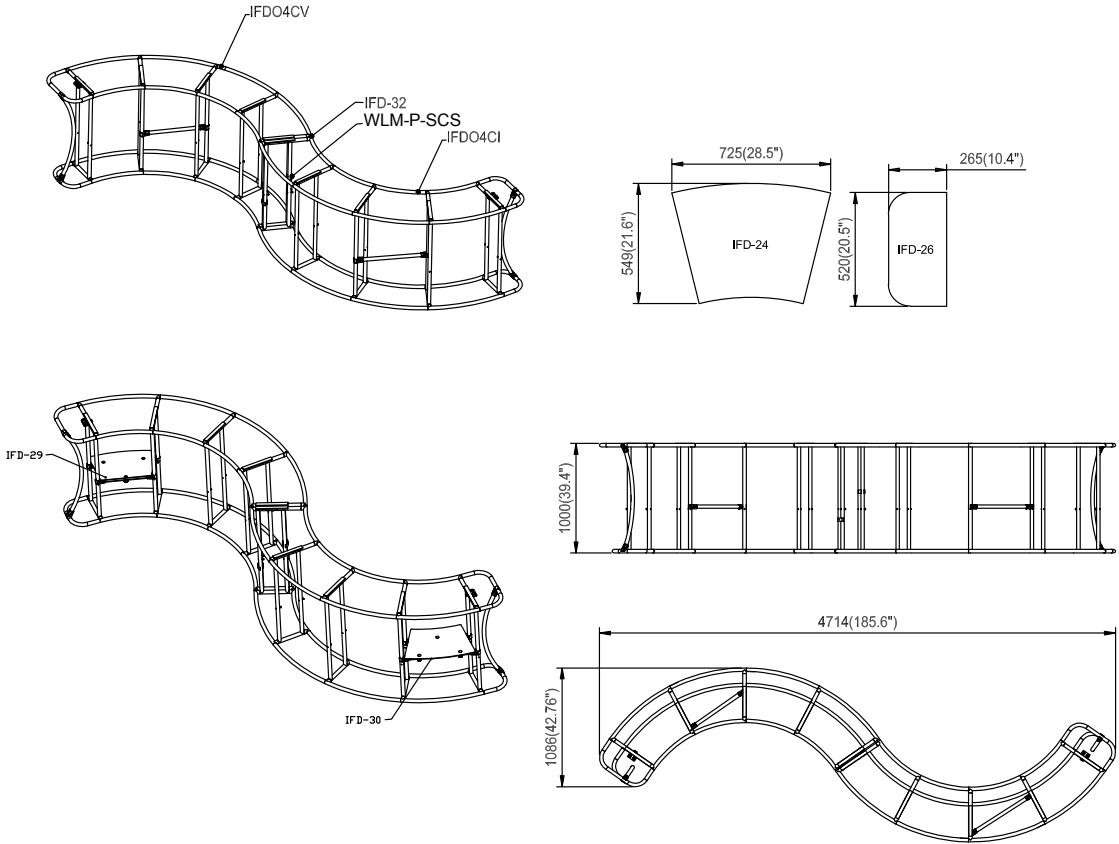
Hardware												Countertop			Graphics		Accessories			Shipping Case		
IFD04CV	1											Yes / No			Single or Double-sided	IFD-29	2		CA900			
IFD03CV	1											IFD-24	7		None				CA500			
WLM-P-SCS	2											IFD-26	2		Complete				NYLON BAG			
IFD-32	4														Split-ship							
No.	Quantity	Confirm	No.	Quantity	Confirm	No.	Quantity	Confirm	No.	Quantity	Confirm	No.	Quantity	Confirm	Confirm	No.	Quantity	Confirm	No.	Quantity	Confirm	

IFD-H-16S



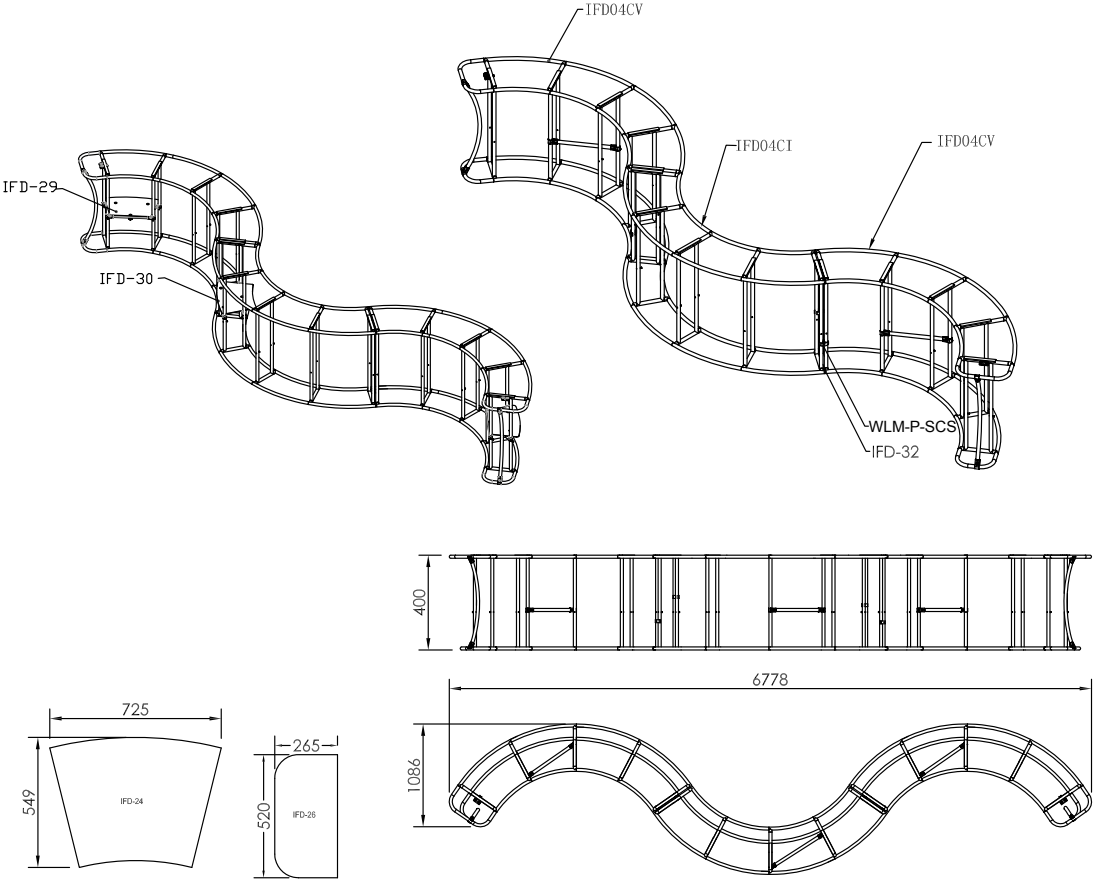
Hardware											Countertop			Graphics		Accessories			Shipping Case				
No.	Quantity	Confirm	No.	Quantity	Confirm	No.	Quantity	Confirm	No.	Quantity	Confirm	No.	Quantity	Confirm		Confirm	No.	Quantity	Confirm	No.	Quantity	Confirm	
IFD04CV	2											Yes / No			Single or Double-sided		IFD-24	2		CA900			
IFD04CL	2											IFD-24	16		None		IFD-24	2		CA500			
WLM-P-SCS	6											IFD-26	2		Complete					NYLON BAG			
IFD-32	12														Split-ship								

IFD-H-08S



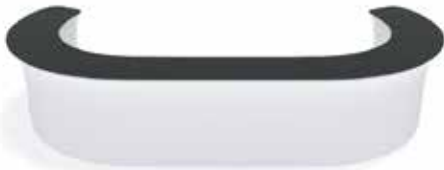
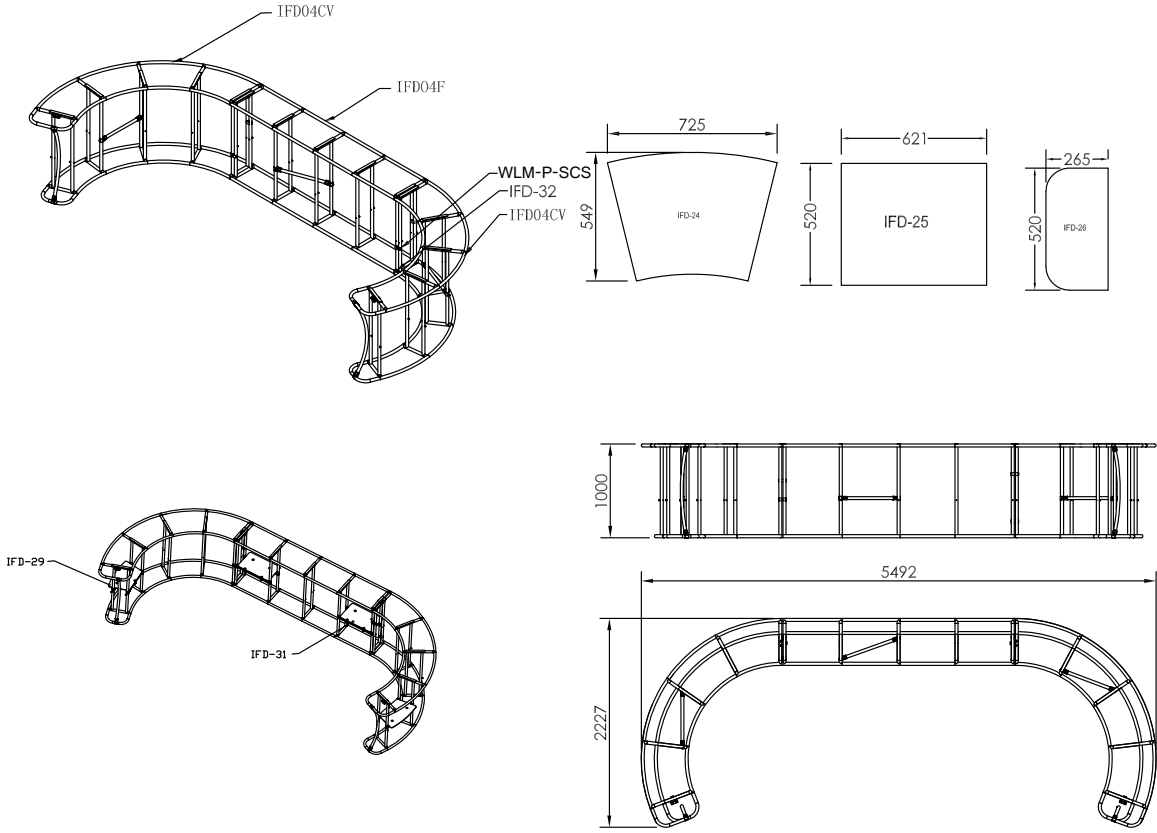
Hardware												Countertop			Graphics		Accessories			Shipping Case			
IFD04CV	1											Yes / No			Single or Double-sided		IFD-29	1		CA900			
IFD04CI	1											IFD-24	8		None			IFD-30	1		CA500		
WLM-P-SCS	2											IFD-26	2		Complete					NYLON BAG			
IFD-32	4														Split-ship								
No.	Quantity	Confirm	No.	Quantity	Confirm	No.	Quantity	Confirm	No.	Quantity	Confirm	No.	Quantity	Confirm		Confirm	No.	Quantity	Confirm	No.	Quantity	Confirm	

IFD-H-12CW



Hardware											Countertop			Graphics		Accessories			Shipping Case			
No.	Quantity	Confirm	No.	Quantity	Confirm	No.	Quantity	Confirm	No.	Quantity	Confirm	No.	Quantity	Confirm	Yes / No	Single or Double-sided	IFD-24	Quantity	Confirm	CA900	Quantity	Confirm
IFD04CV	2																IFD-24	2		CA900		
IFD04CI	1											IFD-24	12		None		IFD-24	1		CA500		
WLM-P-SCS	4											IFD-26	2		Complete					NYLON BAG		
IFD-32	8														Split-ship							
No.	Quantity	Confirm	No.	Quantity	Confirm	No.	Quantity	Confirm	No.	Quantity	Confirm	No.	Quantity	Confirm		Confirm	No.	Quantity	Confirm	No.	Quantity	Confirm

IFD-H-12CC



Hardware												Countertop			Graphics		Accessories			Shipping Case			
IFD04CV	1											Yes / No			Single or Double-sided		IFD-29	2		CA900			
IFD04F	1											IFD-24	8		None			IFD-31	2		CA500		
WLM-P-SCS	4											IFD-25	4		Complete					NYLON BAG			
IFD-32	8											IFD-26	2		Split-ship								
No.	Quantity	Confirm	No.	Quantity	Confirm	No.	Quantity	Confirm	No.	Quantity	Confirm	No.	Quantity	Confirm		Confirm	No.	Quantity	Confirm	No.	Quantity	Confirm	